

NXC-1403F03

Home | Security | IP Cameras | Megapixel

NXC-1403F03

1/4" Network camera, H.264, 2DNR, 1600x1200,

2.6mm, 5VDC, PoE, ONVIF

Art-Nr. 204284



Main Features

1/4" CMOS sensor

Resolution of 1600 x 1200 (HD 720p) max.

Simultaneous video streaming (H.264/MJPEG)

Privacy zone masking

Integrated motion detection

E-PTZ function

Easy and flexible installation

Local recording by Micro SD card

Power-over-Ethernet (PoE)

Specifications

Series	eneo NX
Resolution standard	HD 720p
System	colour
Sensor size	1/4"
Imager	CMOS
Sensitivity	1 Lux, (colour)
Digital Noise Reduction (DNR)	yes, 2D-DNR
Low speed shutter	yes, ON/OFF switchable
Backlight compensation	no
Wide Dynamic Range (WDR)	no
IR cut filter	standard
Privacy zones masking	8 zones masking
Activity detection	yes
Menu languages	English, Russian, Korean

NXC-1403F03

(Continuation Specifications)

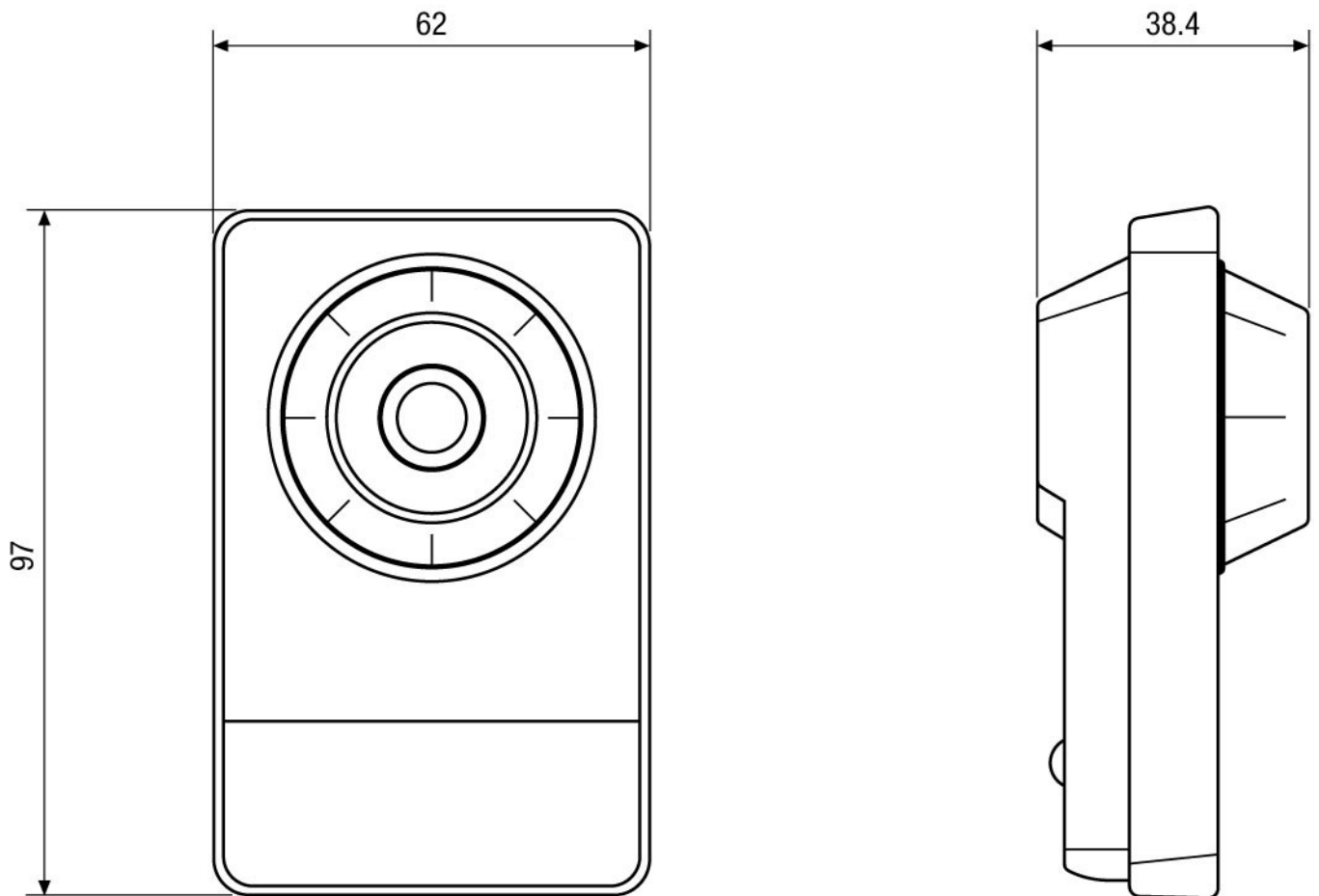
Video outputs	no
Audio support	no
Alarm inputs	no
Internal storage	microSD card
	H.264, M-JPEG, MPEG-4
Resolution max.	1600x1200
Resolution	1600x1200 (4:3), 1280x1024 (5:4), 1280x720 (16:9), 800x600 (4:3), 704x576 (4:3), 640x480 (4:3), 704x480 (4.3), 352x288 (4:3), 352:240 (4:3), 320x240 (4:3)
Image transmission rate max.	25 fps
Ethernet interface	10Base-T, 100Base-TX
Web browser	MS Internet Explorer Vers. 6.0, Mozilla Firefox (Java, Quick time), Safari (Java), Google Chrome (Java), Opera
Network protocols	TCP/IP, UDP, HTTP, RTP, RTSP, NTP, DHCP, SMTP, DDNS, HTTPS, RTCP, FTP, SNMP
Stream types	H.264, MPEG-4, MJPEG multiple (3 Streams)
Lens type	fixed focal length
Focal length	2,6 mm
Digital zoom	yes
Horizontal angle of view	64°
Serial interfaces	no
Remote configuration	web browser
Password protection	yes
e-PTZ support	yes
Supply voltage	5VDC, PoE
Power over Ethernet	IEEE 802.af
Power consumption	3.5W
Temperature range (operation)	0°C ~+40°C
Housing material	plastic
Housing	indoor, Cube
Protection rating	n/a
Window heater	no
Vandalism resistant	no
Management Software Support	www.eneo-security.com/software
SDK	upon request
ONVIF	yes, ONVIF Test Tool Version 1.02.4
Dimensions (HxWxD)	97x62x39mm
Weight	75g
Parts supplied	PSU, wall bracket, manual
Certificates	CE

NXC-1403F03

Optional accessories

204193	PNR-5104	Network Video Recorder, 4xIP, 1920x1080, 120fps, 1TB, H.264, MPEG-4, M-JPEG
204192	PNR-5108	Network Video Recorder, 8xIP, 1920x1080, 200fps, 1TB, H.264, MPEG-4, M-JPEG
202563	PNR-5116	Network Video Recorder, 16xIP, 1920x1080, 320fps, 1TB, H.264, MPEG-4, M-JPEG
202562	PNR-5216	Network Video Recorder, 16xIP, 1920x1080, 480fps, 1TB, H.264, MPEG-4, M-JPEG, DVI, D-Sub

Technical drawing



Maße/Dimensions: mm

GENITECH Comptabilité

36 Rte de Montpellier · 34230 Vendémian · FR
Phone - 0811.040.048 · Telefax - 01.49.63.74.51
genitech@genitech.fr · — www.genitech.fr

GENITECH