

FLC-1301

Home | Security | IP Cameras | Standard

FLC-1301

1/3" Network Camera, Day&Night , 640x480, H.264,

MPEG4, MJPEG , 12VDC, PoE, ONVIF

Art-Nr. 92712



ONVIF



Main Features

1/3" VGA real-time CMOS sensor
Resolution of 640x480 px. (VGA)
Simultaneous video streaming (H.264/MJPEG/MPEG-4)
Electronic day&night switching
e-PTZ function
Privacy zone masking

Integrated motion detection
Internal microphone and speaker
Alarm recording (Mini SD, NAS, ISCSI)
ONVIF conformity
Power-over-Ethernet (PoE)
Client management software included

Specifications

Series	eneo F
Resolution standard	SD
System	day&night
Sensor size	1/3"
Imager	CMOS
Sensitivity (at 50% video signal)	0,1 Lux, (colour); 0.01Lux (B&W) at F1.2
Digital Noise Reduction (DNR)	no
Low speed shutter	yes, 1/25sec. ~1/100,000sec.
Wide Dynamic Range (WDR)	no
Backlight compensation	no
IR cut filter	OLPF (Overlay Low Pass Filter)
Privacy zones masking	4 areas selectable
Activity detection	yes

FLC-1301

(Continuation Specifications)

Motion detector	integrated motion detector
Text display	supplied
Menu languages	English, Chinese
Audio support	yes
Audio	Built-in microphone, speaker
Alarm inputs	no
Alarm outputs	-
Internal storage	microSD card, SDHC card, SD card
Digital storage media	Apacer 1GB, Apacer 4GB, 8GB, 16GB, Kingston 1GB, 2GB, Kingston 4GB, 8GB, 16GB, 32GB, ScanDisk 1GB, 2GB, ScanDisk 4GB, 8GB, 32GB, Crucial 1GB, Trancend 4GB, 8GB, 16GB, KINGMAX 4GB, 8GB, 16GB, A-Data 4GB, 16GB
Compression standard	H.264, MJPEG
Resolution max.	640x480
Resolution	640x480 (4:3), 352x288 (4:3)
Image transmission rate max.	30 B./Sek.
Stream types	H.264, MJPEG multiple
Ethernet interface	100Base-TX
Web browser	MS Internet Explorer vers. 7.0 or higher
Network protocols	TCP/IP, HTTP, DHCP, DNS, DDNS, RTP, RTCP, PPPoE, FTP, SMTP, NTP, SNMP, HTTPS, SIP, IPv4, IPv6
Remote configuration	via web browser, remote software
Multicast compliant	yes
Lens type	fixed focal length
Digital zoom	no
e-PTZ support	yes
Analysis functions	motion detection
Serial interfaces	no
Password protection	yes
Management Software Support	Finitra, Zelarix
SDK	SDK incl. HTTP-API and ActiveX
ONVIF	ONVIF Test Tool version 1.02.2.10
Power consumption	3W
Temperature range (operation)	-10°C ~+60°C
Supply voltage	12VDC, PoE (IEEE-802.3af)
Power over Ethernet	yes
Protection rating	n/a
Certificates	CE
Parts supplied	lens, Quick Installation Guide, Manual and Software on CD-ROM, installation CD, screw set, feet, PSU
Weight	250 g

FLC-1301

(Continuation Specifications)

Dimensions (HxWxD)

110x70x33 mm

Optional accessories

200803

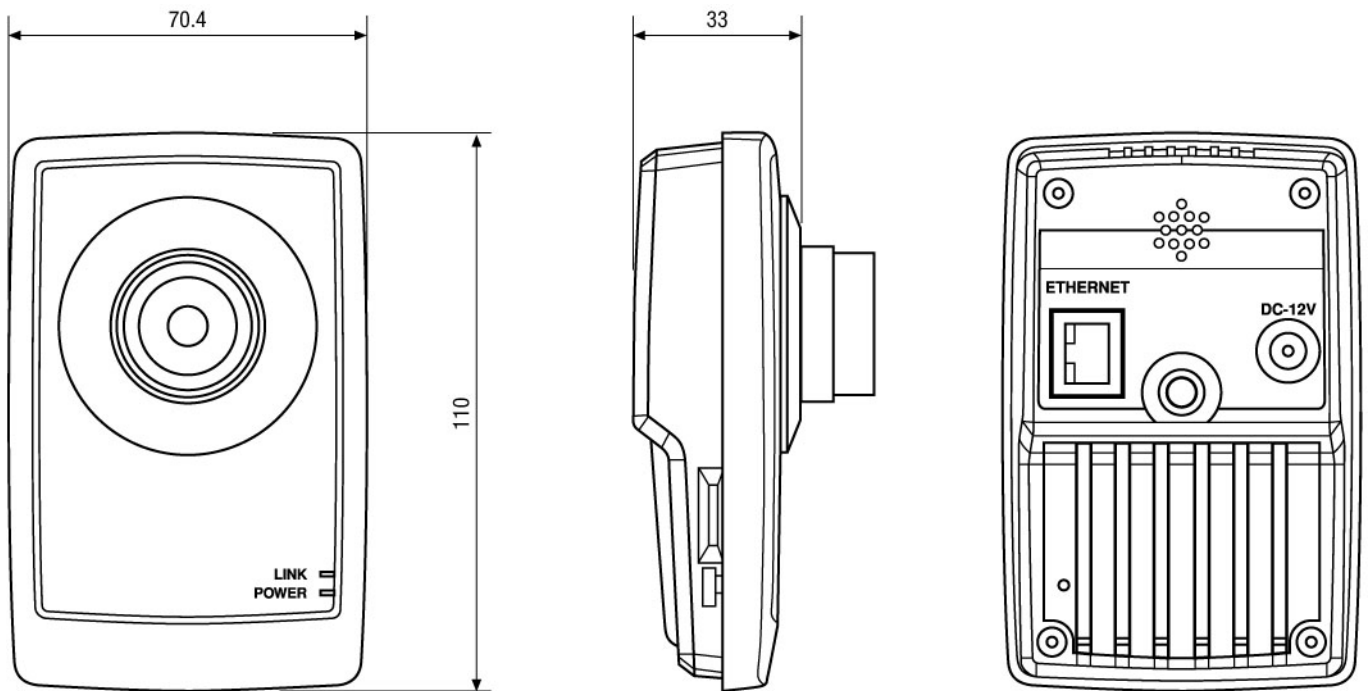
ZELARIS ELEMENTS

Video Management Software, for eneo IP Cameras

FLC-1301

Home | Security | IP Cameras | Standard

Technical drawing



Maße/Dimensions: mm

GENITECH Comptabilité

36 Rte de Montpellier · 34230 Vendémian · FR
Phone - 01.49.63.74.41 · Telefax - 01.49.63.74.51
genitech@genitech.fr · — www.genitech.fr

GENITECH