



CAMERA FIXE HD RÉSISTANT À LA CORROSION 30X

Key Functions

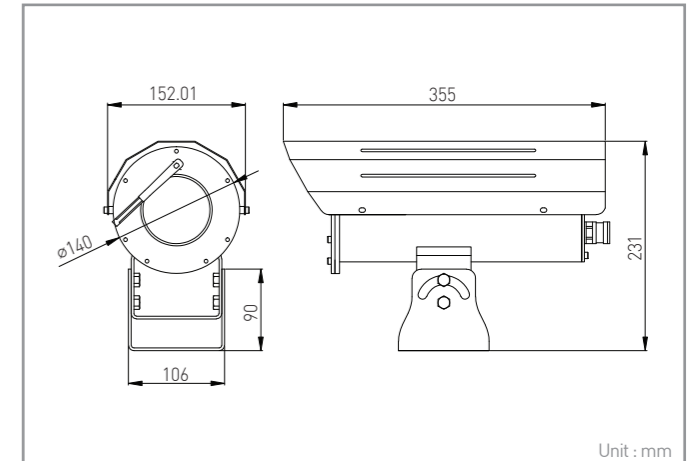
- Auto Exposure, Auto White Balance · Triple Stream(H.264, MJPEG)
- Onvif Profile S · Easy Install : Zero Configuration, Discovery
- Event Boosting, FTP Image Upload, Web Casting, Open VPN, QoS, IP Filtering
- Cross Web Browsing(IE, Safari, Firefox, Chrome) · Privacy Masking
- Designed to Accept Future Software Upgrades Remotely · Event Buffering



Key Features

- SUS 316L Electro-polished Stainless Steel for Optimum Corrosion Proof
- Integrated Wiper
- Full HD(1920x1080) 50/60fps, 25/30fps
- 5.1~51mm 30x AF Optical Zoom Lens
- True WDR(120dB)
- True Day & Night
- 43 IR LEDs for 40m Coverage
- Alarm In/Out(1/1), Audio In/Out(1/1)
- 24VDC
- IP67

Dimension



Technical Specifications

NCX-2203FR

IMAGE		Video Contents Analysis	DIS, Defog, Face Detection, Tampering, Line Detector, Field Detector	
Lens	Optical Zoom 30X, 4.3~129mm	Motion Detection Area	16 Programmable Area[Include Area 8, Exclude Area 8]	
Angle of View	65.1~2.23°[H]	Event Notification	E-mail, FTP, Notification Server, XML Notification, Audio Alert, AIHM	
Image Sensor	Type	Audio Alert	User-Defined 3 Audio Files	
	Pixels	1945(H)x1097(V)	Login Authority	Administrator, Operator, Guest
Min. Illumination	Color : 0.35Lux, BW : 0.013Lux, 50IRE	Manual Trigger	4 Programmable Trigger	
Scanning Mode	Progressive Scan	Security	Multi User Authority, IP Filtering, HTTPS, SSL	
Wide Dynamic Range	True WDR(120dB)	Network Time Sync	NTP Server, Synchronized Computer, Manual	
Day and Night Mode	True Day & Night[Auto, Day, Night]	Software Reset	Restart, Reset, Factory Default	
Noise Reduction	3DNR	Hardware Factory Reset	Yes	
Digital Zoom	16X	Auto Recovery	Backup, Restore	
Exposure Control	Auto, Manual, Shutter Priority, Iris Priority	Remote Upgrade	Web Browsing(IE, Chrome, Safari, Firefox), SmartManager, NC-Titanium	
White Balance Control	Auto, Fluorescent, Incandescent, Outdoor, Manual	SD Recording Mode	Event, Continuous	
Back Light Compensation	Yes	NETWORK		
Image Effect	Flip(Digital)	Protocol	TCP/IP, UDP, IPv4/v6, HTTP, HTTPS, QoS, FTP, UPnP, RTP, RTSP, RTCP, DHCP, ARP, Zeroconf, Bonjour	
Shutter Speed	25/30fps : Auto(1/30,000~x8sec), Manual 50/60fps : Auto(1/50,000~x8sec), Manual	Client Software	Web, SmartManager, NC-Titanium, Tve HD	
		Max. User Connection	Live : 10 Users, Playback : 3 Users	
		API Support	Open API, Onvif Compliance	
IR Illuminator	Quantity	43 IR LEDs	Mobile Support	Tive HD(Android, iOS)
	Angle	78°[H]	EXTERNAL IN/OUT	
	Distance	Up to 40m	Audio / Alarm	1 Input, 1 Output(Terminal Block)
AUTO FOCUS		Ethernet	RJ-45(10/100Base-T)	
Focus System	Auto, One Push, Manual	ETC		
Min. Working Distance	100mm(Wide End), 1000mm(Tele End)	Operating Humidity	0~95% RH(Non-Condensing)	
VIDEO/AUDIO		Operating Temperature	-40~+60°C	
Compression	H.264(Baseline, Main, High Profile), MJPEG	Power Supply	24VDC	
Bitrate Control	CVBR, VBR	Power Consumption	25W@24VDC	
Resolution	1920x1080, 1280x1024, 1280x720/960, 1024x768, 704x480/576, 640x360/480, 320x240	Dimension	152(W)x231(H)x355(D)mm	
Frame Rate	Max. 50/60fps	Net Weight	Approx. 5.6kg	
Streaming	50/60fps(Dual Stream : H.264x1, MJPEGx1) 25/30fps(Triple Stream : H.264x2, MJPEGx1)	Ingress Protection	IP67	
Audio Compression	G.711	SYSTEM		
Audio Streaming	2 Way			

Specifications are subject to change without notice.