



CAMÉRA HD IP SPEED DOME 20X RESISTANT A LA CORROSION

Key Functions

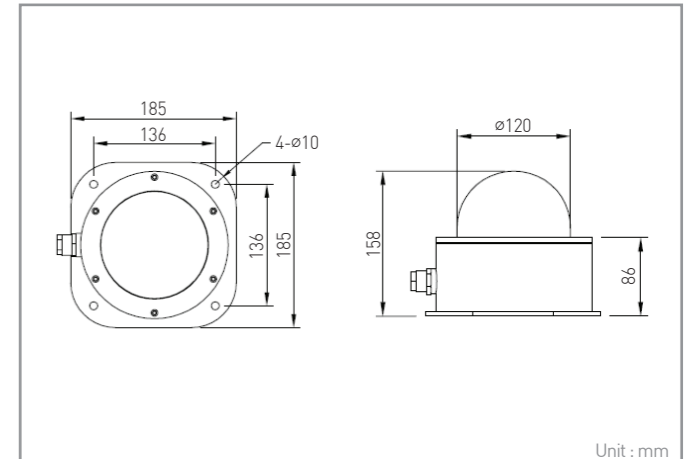
- Auto Exposure, Auto White Balance · Triple Stream(H.264, MJPEG) · Onvif Profile S
- Easy Install : Zero Configuration, Discovery, PoE
- Event Boosting, FTP Image Upload, Web Casting, Open VPN, QoS, IP Filtering
- Cross Web Browsing(IE, Safari, Firefox, Chrome) · Privacy Masking
- Designed to Accept Future Software Upgrades Remotely · Event Buffering



Key Features

- SUS 316L Electro-polished Stainless Steel for Optimum Corrosion Proof
- Well Balanced, Compact Unit
- Full HD(1920x1080) Resolution with Compact Design
- Optical Zoom 20X, Digital Zoom 16X
- True WDR(120dB), True Day & Night
- Max. 380°/sec Speed(Preset)
- Preset(256), Tour(8), Pattern(8), Privacy(16), Motion(16)
- Audio In/Out(1/1), Alarm In/Out(1/1)
- VCA(DIS, Defog, Face Detector, Tampering, Line Detector, Field Detector)
- PoE, 12VDC, 24VAC
- IP67

Dimension



Unit : mm

Technical Specifications

NCX-2202S

IMAGE		Video Contents Analysis	DIS, Defog, Face Detector, Tampering, Line Detector, Field Detector
Lens	Optical Zoom 20X, 4.7-94mm	Motion Detection Area	16 Programmable Area(Include Area 8, Exclude Area 8)
Angle of View	55.5-3°(H)	Privacy Masking	16 Programmable Zone
Image Sensor	Type	Event Notification	E-mail, FTP, Notification Server, XML Notification, Audio Alert, AIHM
	Pixels	1945(H)x1097(V)	Audio Alert
Min. Illumination	Color : 0.35Lux, BW : 0.013Lux@50IRE	Login Authority	Administrator, Operator, Guest
Scanning Mode	Progressive Scan	Security	Multi User Authority, IP Filtering, HTTPS, SSL
Wide Dynamic Range	True WDR(120dB)	Network Time Sync	NTP Server, Synchronized Computer, Manual
Day and Night Mode	True Day & Night	Software Reset	Restart, Reset, Factory Default
Noise Reduction	3DNR	Hardware Factory Reset	Yes
Digital Zoom	16X	Auto Recovery	Backup, Restore
Exposure Control	Auto, Manual, Shutter Priority, Iris Priority	Remote Upgrade	Web Browsing(IE, Chrome, Safari, Firefox), SmartManager, NC-Titanium
White Balance Control	Auto, Fluorescent, Incandescent, Outdoor, Manual	NETWORK	
Back Light Compensation	Yes	Protocol	TCP/IP, UDP, IPv4/v6, HTTP, HTTPS, QoS, FTP, UPnP, RTP, RTSP, RTCP, DHCP, ARP, Zeroconf, Bonjour
Image Effect	Flip	Client Software	Web, SmartManager, NC-Titanium, Tve HD
Shutter Speed	25/30fps : Auto(1/30,000-x8sec), Manual 50/60fps : Auto(1/50,000-x8sec), Manual	Max. User Connection	Live : 10 Users, Playback : 3 Users
VIDEO/AUDIO		API Support	Open API, Onvif Compliance
Compression	H.264(Baseline, Main, High Profile), MJPEG	Mobile Support	Tve HD(Android, iOS)
Bitrate Control	CVBR, VBR	EXTERNAL IN/OUT	
Resolution	1920x1080, 1280x1024, 1280x720/960, 704x480/576, 640x360/480, 320x240	Audio	1 Input, 1 Output(3.5mm Stereo Jack)
Frame Rate	Max. 50/60fps	Alarm	4 Input, 1 Output
Streaming	50/60fps(Dual Stream : H.264x1, MJPEGx1) 25/30fps(Triple Stream : H.264x2, MJPEGx1)	Ethernet	RJ-45(10/100Base-T)
Audio Compression	G.711	ETC	
Audio Streaming	2 Way	Operating Humidity	0-90% RH(Non-Condensing)
PTZ FUNCTION		Operating Temperature	-30~+50°C
Pan Range / Pan Speed	360°Endless / Max. 380°/sec.(Preset)	Power Supply	24VAC
Tilt Range / Tilt Speed	-10~190° / Max. 380°/sec.(Preset)	Power Consumption	1,500mA(22W)@24VAC
Auto Calibration / Preset	0.1-6° / 256	Dimension	185(W)x158(H)x185(D)mm
Tour / Pattern	8	Net Weight	Approx. 4.25kg
Home Function	Yes	Ingress Protection	IP67
SYSTEM			

Specifications are subject to change without notice.