

# HDD-2110M1080

Home | Security | HDcctv / HD-SDI | Fix Domes

HDD-2110M1080  
1/3" HDcctv I Dome, Fixed, Day&Night, 1920x1080,

WDR, 3.0mm, 12VDC

**Art-Nr. 200840**



## Main Features

1/3" 2.0 megapixels progressive scan CMOS sensor	Digital zoom (2x - 32x)
Resolution max. 1920 x 1080 (HD 1080p)	Privacy zones
1.5G HD-SDI video transmission via coax cable	Flat and compact design
WDR (wide dynamic range)	Wall or ceiling mount
Integral motion detection	Vandal-resistant, IP67
Integral object detection	

## Specifications

Series	eneo HDcctv
System	electronic Day&Night
Sensor size	1/3"
Imager	CMOS, Panasonic Progressive Scan CMOS imager
Active picture elements	1944(H) x 1092(V)
Synchronization	internal
Signal-to-noise ratio	-50 db
Sensitivity	1 Lux, 0.5Lux(b&w), 50 IRE
Exposure modes	automatic, manual
Automatic electronic shutter (ESC)	1/25~1/60000sec.
Low speed shutter	yes, 2x ~4x
Digital Noise Reduction (DNR)	yes
Backlight compensation	BLC

# HDD-2110M1080

(Continuation Specifications)

<b>Wide Dynamic Range (WDR)</b>	yes, ON/OFF switchable
<b>White balance</b>	automatic, manual, indoor, outdoor, Preset
<b>Blemish compensation</b>	pixel compensation ON/OFF selectable
<b>IR cut filter</b>	standard
<b>Day/Night switching</b>	auto, day, night, By external contact closure
<b>Privacy zones masking</b>	32 zones masking
<b>Menu languages</b>	English
<b>OSD function control</b>	AGC, day&night, white pixel correction, WDR/BLC, digital zoom, white balance, DNR, privacy zones, motion detection, shutter control, freeze, H/V flip (mirror picture), Rotation
<b>Text display</b>	title and camera ID
<b>Activity detection</b>	yes
<b>Motion detector</b>	3 zones, ON/OFF switchable, vertical, horizontal & vertical
<b>Digital zoom</b>	2x ~32x
<b>Lens type</b>	fixed focal length
<b>Focal length</b>	3 mm
<b>Horizontal angle of view</b>	77,4°
<b>Aperture range (F)</b>	F1.8
<b>Video outputs</b>	HD-SDI (BNC) SMPTE 292M standard, composite control out
<b>Alarm inputs</b>	no
<b>Alarm outputs</b>	1
<b>e-PTZ support</b>	yes
<b>Illumination</b>	no
<b>External connections</b>	12VDC power input, RS-485, HD-SDI BNC output, video (BNC)
<b>Serial interfaces</b>	RS-485
<b>Serial interfaces protocols</b>	Pelco D, Pelco P
<b>Housing</b>	outdoor
<b>Housing material</b>	aluminium
<b>Colour (bubble)</b>	clear
<b>Colour (housing)</b>	Pantone Warm Gray 1C
<b>Blower</b>	no
<b>Mounting</b>	wall mount, ceiling mount
<b>Supply voltage</b>	12VDC, (+/-10%)
<b>Power consumption</b>	2.5W
<b>Temperature range (operation)</b>	-10°C ~+50°C
<b>Protection rating</b>	IP66
<b>Vandalism resistant</b>	yes
<b>Dimensions (HxWxD)</b>	49x139x140
<b>Weight</b>	410 g
<b>Parts supplied</b>	screw set, manual

# HDD-2110M1080

(Continuation Specifications)

## Certificates

CE

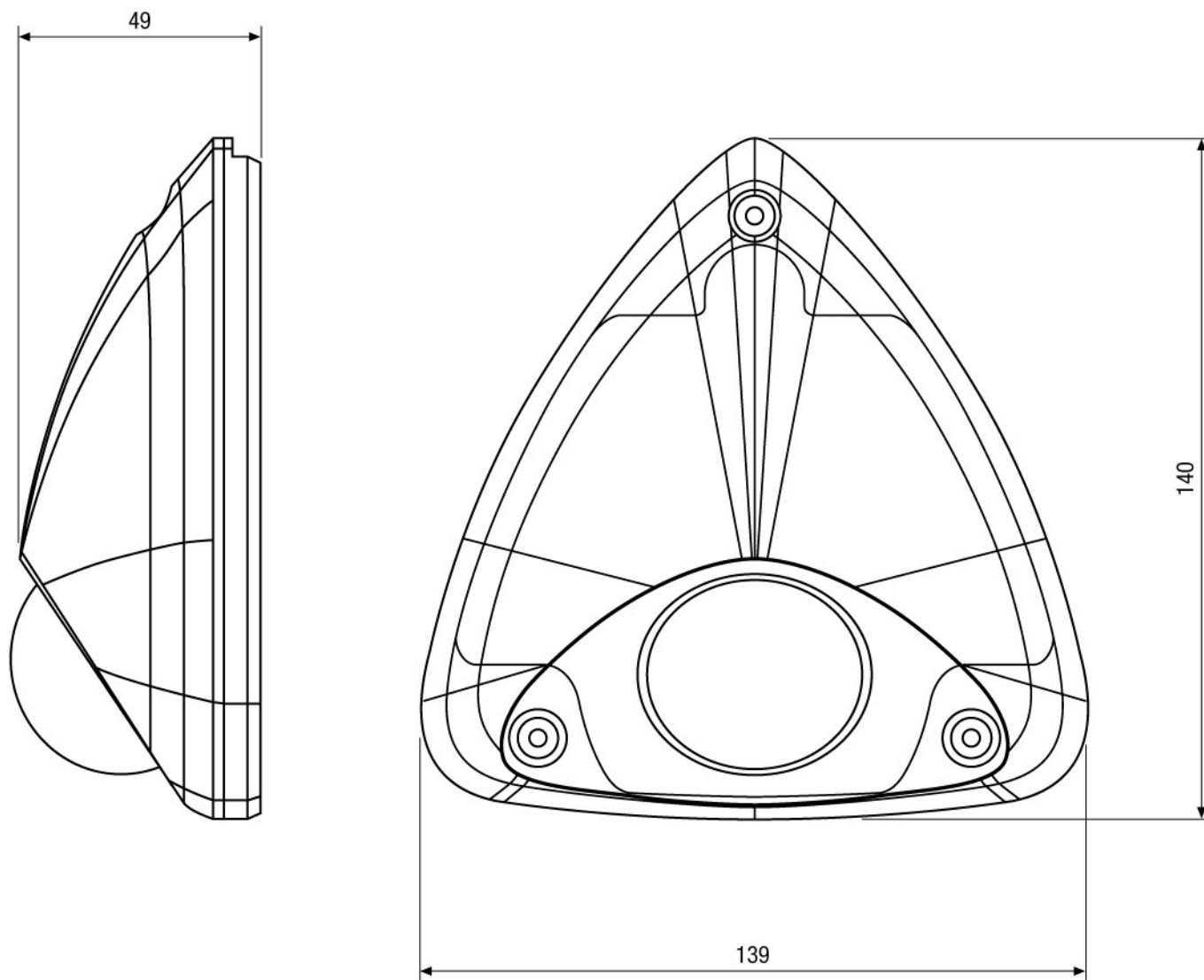
## Optional accessories

203658	VT-PS12DC-11	Plug-in Power Supply Unit, 100-240VAC/12VDC (1.0A), Regulated, with DC Plug
200836	HDA-1002EC	Extender/Converter 1 x HD-SDI Input, 1 x HD-SDI Output, 1 x HDMI Output
204246	HDA-1010TRE	HD-SDI Extender, Transmitter-Receiver Pair, Coaxial Cable Transmission
200817	HDA-1004D	Distributor HD-SDI, 1 x HD-SDI Input, 4 x HD-SDI Outputs
200818	HDA-1001E	Repeater HD-SDI, 1 x HD-SDI Input, 1 x HD-SDI Output
204247	HDA-1020TRB	HD-SDI Balun, Transmitter-Receiver pair, UTP cable transmission

# HDD-2110M1080

Home | Security | HDcctv / HD-SDI | Fix Domes

## Technical drawing



Maße/Dimensions: mm

GENITECH Comptabilité

36 Rte de Montpellier · 34230 Vendémian · FR  
Phone - 0811.040.048 · Telefax - 01.49.63.74.51  
genitech@genitech.fr · — www.genitech.fr

**GENITECH**

# HDD-2000MIR1080

Home | Security | HDcctv / HD-SDI | Fix Domes

HDD-2000MIR1080

1/3" HDcctv Dome, Fixed, Day&Night, 1920x1080,

2,8-10mm IR-LED, 3D-DNR, 12VDC/24VAC

**Art-Nr. 200812**



## Main Features

1/3" 2.0 megapixels progressive scan CMOS sensor  
Resolution max. 1920 x 1080 (HD 1080p)  
1.5G HD-SDI video transmission via coax cable  
Removeable infrared cut filter (ICR)  
D-WDR (Wide Dynamic Range)  
Integral motion detection

For wall and ceiling flush and surface mount  
Integral IR LED illumination (30 LEDs 850nm)  
Protection rating IP68  
Electronic focusing aid  
Easy installation

## Specifications

Series	eneo Callisto
System	True Day&Night
Sensor size	1/3"
Imager	CMOS, Panasonic Progressive Scan CMOS imager
Active picture elements	1944(H) x 1092(V)
Signal-to-noise ratio	-50 db
Sensitivity	0,17 Lux, (colour), 0.002Lux (B&W) at F1.2 AGC 32x, 50 IRE
Exposure modes	automatic, shutter priority
Automatic electronic shutter (ESC)	1/50 ~ 1/50,000sec.
Low speed shutter	yes, 2x ~30x
Digital Noise Reduction (DNR)	yes
Backlight compensation	BLC, HS BLC (eclipser)
Wide Dynamic Range (WDR)	D-WDR

# HDD-2000MIR1080

(Continuation Specifications)

<b>White balance</b>	ATW, outdoor, AWC (Hold), manual
<b>IR cut filter</b>	switchable
<b>Menu languages</b>	English, German, French, Italian, Spanish, Polish, Japanese, Chinese
<b>OSD function control</b>	AGC, motion detection, DNR, brightness, sharpness, shutter control, H/V flip (mirror picture), Rotation, day&night, privacy zones, white balance
<b>Text display</b>	camera title
<b>Activity detection</b>	yes
<b>Motion detector</b>	3 zones, ON/OFF switchable
<b>Mirror function</b>	V flip, flip, 180° rotation
<b>Digital zoom</b>	2 ~64x
<b>Lens type</b>	varifocal
<b>Focal length</b>	2,8 mm - 10 mm
<b>Horizontal angle of view</b>	81,2° - 27°
<b>Aperture range (F)</b>	F1.2
<b>External adjustments</b>	menu
<b>Video outputs</b>	HD-SDI, composite control out, HD-SDI (BNC) SMPTE 292M standard
<b>Alarm inputs</b>	no
<b>Alarm outputs</b>	no
<b>e-PTZ support</b>	yes
<b>Rotation range</b>	+/-165°
<b>Vertical tilt range</b>	65° (25° ~90°, ceiling as reference)
<b>Illumination</b>	infrared, 30x IR-LEDs 850nm, 60°
<b>Illumination range</b>	approx. 40m
<b>External connections</b>	RS-485, voltage input, HD-SDI BNC output
<b>Serial interfaces</b>	RS-485
<b>Serial interfaces protocols</b>	Pelco D
<b>Housing</b>	outdoor, dome
<b>Housing material</b>	aluminium
<b>Colour (bubble)</b>	clear
<b>Colour (housing)</b>	Pantone 7541
<b>Heater</b>	yes
<b>Blower</b>	no
<b>Mounting</b>	wall mount, ceiling mount, flush mount
<b>Supply voltage</b>	12VDC, 24VAC, (+/-15%) 50Hz
<b>Power consumption</b>	6.5W
<b>Temperature range (operation)</b>	-50°C ~+50°C
<b>Protection rating</b>	IP68
<b>Vandalism resistant</b>	yes
<b>Dimensions (HxWxD)</b>	119x140

# HDD-2000MIR1080

(Continuation Specifications)

<b>Weight</b>	1.0kg
<b>Parts supplied</b>	manual, allen key, screw set, Video sub-out cable, drilling template
<b>Certificates</b>	CE, IK10
<b>Special features</b>	SRIC“ (Signal Related IR Control)., Built-in pressure valve

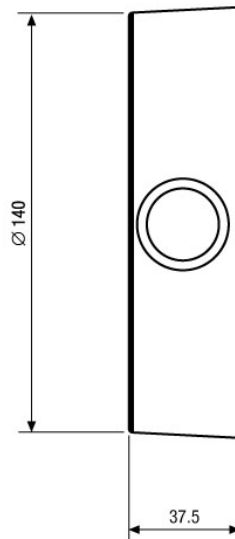
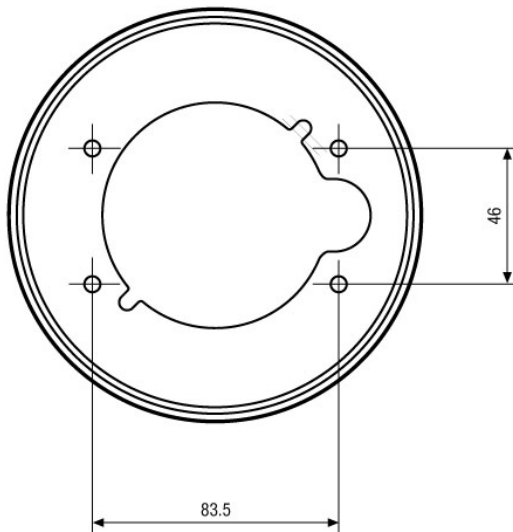
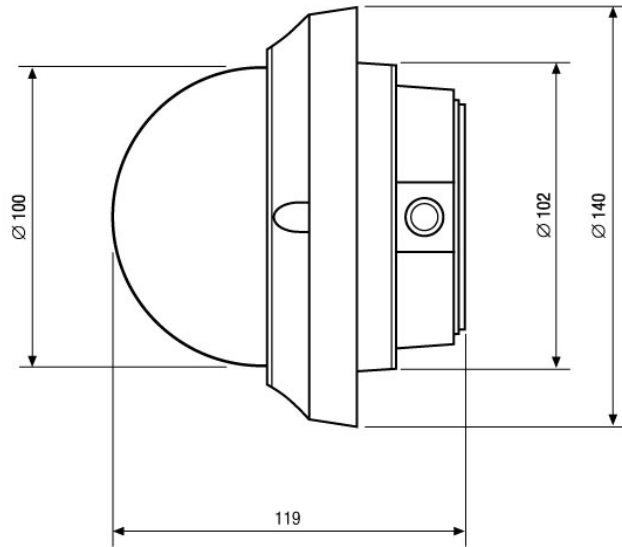
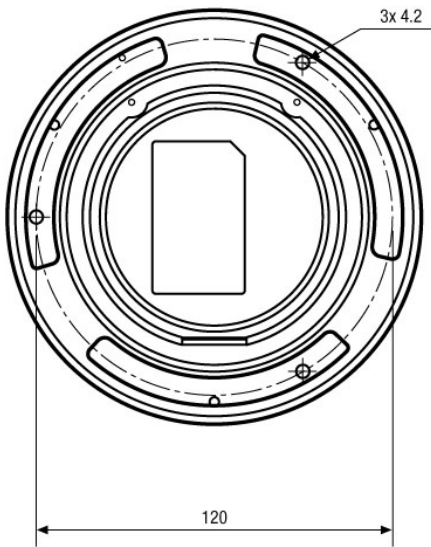
## Optional accessories

<b>203658</b>	<b>VT-PS12DC-11</b>	Plug-in Power Supply Unit, 100-240VAC/12VDC (1.0A), Regulated, with DC Plug
<b>202642</b>	<b>DOME-WB1</b>	Wall Bracket for eneo Callisto Dome Line
<b>200836</b>	<b>HDA-1002EC</b>	Extender/Converter 1 x HD-SDI Input, 1 x HD-SDI Output, 1 x HDMI Output
<b>204246</b>	<b>HDA-1010TRE</b>	HD-SDI Extender, Transmitter-Receiver Pair, Coaxial Cable Transmission
<b>200817</b>	<b>HDA-1004D</b>	Distributor HD-SDI, 1 x HD-SDI Input, 4 x HD-SDI Outputs
<b>200818</b>	<b>HDA-1001E</b>	Repeater HD-SDI, 1 x HD-SDI Input, 1 x HD-SDI Output
<b>204247</b>	<b>HDA-1020TRB</b>	HD-SDI Balun, Transmitter-Receiver pair, UTP cable transmission

# HDD-2000MIR1080

Home | Security | HDcctv / HD-SDI | Fix Domes

## Technical drawing



Maße/Dimensions: mm

GENITECH Comptabilité

36 Rte de Montpellier · 34230 Vendémian · FR  
Phone - 0811.040.048 · Telefax - 01.49.63.74.51  
genitech@genitech.fr · www.genitech.fr



# HDD-2080Z03IR

Home | Security | HDcctv / HD-SDI | Fix Domes

HDD-2080Z03IR  
1/2.9" HDcctv Dome, Day&Nigh 1920x1080, WDR,  
Infrarot, 3x Auto Focus Zoom, 12/24V

**Art-Nr. 205636**



## Main Features

1/2,9" 2.0 MP progressive scan CMOS sensor	WDR, 2&3DNR noise reduction
Resolution max. 1920 x 1080 (Full HD)	Integral motion detection
1.5G HD-SDI video transmission via coax	IP68, Built in Fan, Heater
Optical 3x auto focus zoom, 32x digital	For wall or ceiling flush or surface mount
3-9mm day&night lens	Integral IR LED illumination (2 LEDs 855nm)
Removeable infrared cut filter	Hard Coated Bubble, Anti Scratch Protection

## Specifications

Series	eneo Callisto
System	True Day&Night
Sensor size	1/2.9"
Imager	CMOS, Sony Exmor
Active picture elements	1936(H) x 1097(V)
Signal-to-noise ratio	-50 db
Sensitivity	0,5 Lux, (Colour) 0,1Lux (SW)
Exposure modes	automatic, manual, iris priority, shutter priority
Automatic electronic shutter (ESC)	1/25~1/60000sec.
Manual electronic shutter (MES)	1/25~1/60000sec.
Low speed shutter	yes, 2x ~8x
Digital Noise Reduction (DNR)	yes
Backlight compensation	BLC, HLC

# HDD-2080Z03IR

(Continuation Specifications)

<b>Wide Dynamic Range (WDR)</b>	WDR, D-WDR
<b>White balance</b>	ATW, ATW extended, one push, manual
<b>Blemish compensation</b>	pixel compensation ON/OFF selectable
<b>Flickerless function</b>	yes
<b>IR cut filter</b>	switchable
<b>Day/Night switching</b>	auto, day, night, extern (Sensor)
<b>Privacy zones masking</b>	ON/OFF switchable
<b>Menu languages</b>	English, Japanese, German, French, Italian, Spanish, Polish
<b>OSD function control</b>	AGC, motion detection, DNR, shutter control, day&night, privacy zones, white balance
<b>Text display</b>	camera title
<b>Activity detection</b>	yes
<b>Mirror function</b>	V flip, H-flip, H/V flip
<b>Digital zoom</b>	2x ~32x
<b>Lens type</b>	auto focus zoom
<b>Focal length</b>	3 mm - 9 mm
<b>Horizontal angle of view</b>	71,57° - 27,02°
<b>Aperture range (F)</b>	F1.2~F2.1
<b>External adjustments</b>	menu
<b>Video outputs</b>	HD-SDI (BNC) SMPTE 292M standard, composite control out
<b>Alarm inputs</b>	no
<b>Alarm outputs</b>	no
<b>e-PTZ support</b>	no
<b>Illumination</b>	infrared, 2x High Power LEDs 855nm
<b>Illumination range</b>	approx. 25m
<b>External connections</b>	RS-485, voltage input, HD-SDI BNC output
<b>Serial interfaces</b>	RS-485
<b>Serial interfaces protocols</b>	Pelco D, Pelco P, Visca
<b>Housing</b>	outdoor, bullet
<b>Housing material</b>	aluminium
<b>Colour (bubble)</b>	clear
<b>Colour (housing)</b>	Pantone 7541
<b>Blower</b>	yes
<b>Mounting</b>	wall mount, ceiling mount, flush mount
<b>Supply voltage</b>	12VDC, 24VAC, (+/-15%) 50Hz
<b>Power consumption</b>	10.5W
<b>Temperature range (operation)</b>	-30°C ~+50°C
<b>Protection rating</b>	IP68
<b>Vandalism resistant</b>	yes
<b>Dimensions (HxWxD)</b>	119x140

# HDD-2080Z03IR

(Continuation Specifications)

<b>Weight</b>	1.0kg
<b>Parts supplied</b>	manual, screw set, Video sub-out cable, allen key
<b>Certificates</b>	CE, IK10
<b>Special features</b>	SRIC <sup>®</sup> (Signal Related IR Control), Hard Coated Bubble (Hardness grade - H) – Anti Scratch Protection, Built-in pressure valve

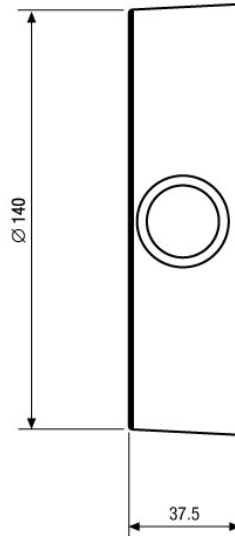
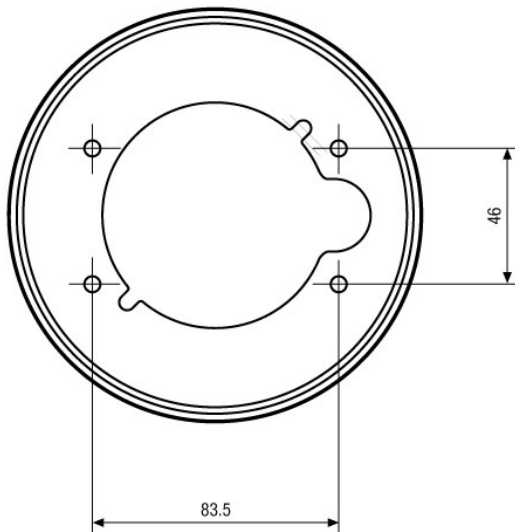
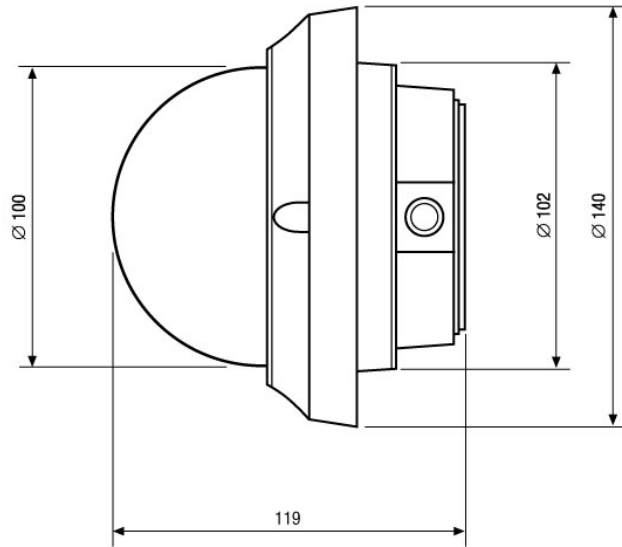
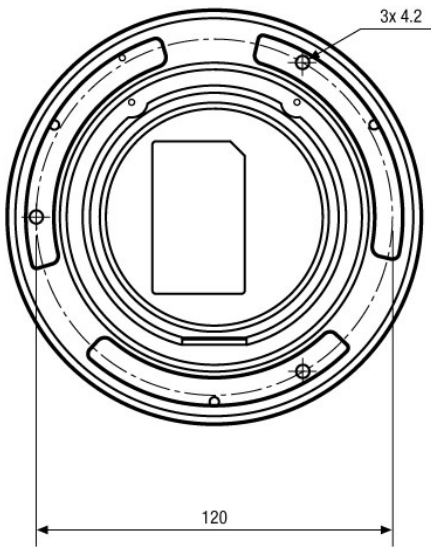
## Optional accessories

<b>203658</b>	<b>VT-PS12DC-11</b>	Plug-in Power Supply Unit, 100-240VAC/12VDC (1.0A), Regulated, with DC Plug
<b>202642</b>	<b>DOME-WB1</b>	Wall Bracket for eneo Callisto Dome Line
<b>200836</b>	<b>HDA-1002EC</b>	Extender/Converter 1 x HD-SDI Input, 1 x HD-SDI Output, 1 x HDMI Output
<b>204246</b>	<b>HDA-1010TRE</b>	HD-SDI Extender, Transmitter-Receiver Pair, Coaxial Cable Transmission
<b>200817</b>	<b>HDA-1004D</b>	Distributor HD-SDI, 1 x HD-SDI Input, 4 x HD-SDI Outputs
<b>200818</b>	<b>HDA-1001E</b>	Repeater HD-SDI, 1 x HD-SDI Input, 1 x HD-SDI Output
<b>204247</b>	<b>HDA-1020TRB</b>	HD-SDI Balun, Transmitter-Receiver pair, UTP cable transmission

# HDD-2080Z03IR

Home | Security | HDcctv / HD-SDI | Fix Domes

## Technical drawing



Maße/Dimensions: mm

GENITECH Comptabilité

36 Rte de Montpellier · 34230 Vendémian · FR  
Phone - 0811.040.048 · Telefax - 01.49.63.74.51  
genitech@genitech.fr · www.genitech.fr

# HDD-2018PTZ1080

Home | Security | HDcctv / HD-SDI | PTZ Domes

HDD-2018PTZ1080

1/2.8" HDcctv Dome, PTZ, 18x, Day/Night, 4,7-84,

6mm 1920x1080, 24VAC, Outdoor

**Art-Nr. 202149**



## Main Features

1/2.8" HD-SDI PTZ Dome with Sony Progressive Scan CMOS  
18x autofocus-lens 4.7-84,6mm/8x digital-zoom  
Full HD 1920x1080 pixel, real-time  
HD-SDI videooutput (SMPTE 292M)  
Schedule for PTZ and IR functions  
Digital noise reduction (DNR)

Backlight compensation (BLC)  
Wide Dynamic Range (D-WDR)  
Privacy zones  
alarm in and outputs  
Vandal-resistant housing, clear bubble  
Extended temperature range -40°C to +50°C

## Specifications

Series	eneo HDcctv
System	True Day&Night
Sensor size	1/2.8"
Imager	CMOS, Sony Progressive scan
Signal-to-noise ratio	-50 db
Sensitivity	0,1 Lux, (color), 0.03Lux (B&W) at F1.2 (measured)
Exposure modes	shutter priority, automatic, iris priority, manual
Automatic electronic shutter (ESC)	1/50 ~ 1/10,000sec.
Manual electronic shutter (MES)	1/50 ~ 1/10.000sec.
Low speed shutter	no
Digital Noise Reduction (DNR)	yes, 2D-DNR
Backlight compensation	BLC
Wide Dynamic Range (WDR)	D-WDR, ON/OFF switchable

# HDD-2018PTZ1080

(Continuation Specifications)

<b>White balance</b>	automatic, indoor, outdoor, ATW, manual
<b>Aperture Correction (APC)</b>	horizontal and vertical
<b>IR cut filter</b>	switchable
<b>Day/Night switching</b>	auto, day, night
<b>Privacy zones masking</b>	16 zones masking, ON/OFF switchable
<b>Menu languages</b>	English
<b>OSD function control</b>	resolution, presets, BLC, digital noise reduction (DNR), WDR, colour/B&W, privacy zones, shutter mode
<b>Text display</b>	20 character labels
<b>Activity detection</b>	yes
<b>Mirror function</b>	vertical, horizontal
<b>Digital zoom</b>	16x
<b>Analysis functions</b>	no
<b>Lens type</b>	auto focus zoom
<b>Zoom factor</b>	12x
<b>Focal length</b>	5,32 mm - 62,61 mm
<b>MOD (Minimum object distance)</b>	0,3 m
<b>Aperture range (F)</b>	F1,6~F2,7
<b>Iris control</b>	DC
<b>External adjustments</b>	Baud rate, protocol type, ID
<b>Video outputs</b>	HD-SDI (BNC) SMPTE 292M standard
<b>Alarm inputs</b>	yes
<b>Alarm outputs</b>	yes
<b>Speed (manual control)</b>	1-80 °/Sek.
<b>Preset speed</b>	400 °/Sek.
<b>Rotation range</b>	360°
<b>Tilt range</b>	-10°~190°
<b>Patterns</b>	8 pattern
<b>Tours</b>	up to 8 user programmable guard tours
<b>Autoscan</b>	4x Autopan
<b>Proportional pan and tilt</b>	continually decreases pan and tilt speeds in proportion to depth of zoom
<b>Auto flip function</b>	mechanical, digital
<b>Home position</b>	included (with multiple park actions)
<b>Auto calibration</b>	yes
<b>Presets</b>	256 presets
<b>Illumination</b>	no
<b>Serial interfaces</b>	RS-485
<b>Serial interfaces protocols</b>	Pelco D, Pelco P, JVC, VCL, Philips
<b>Housing material</b>	metal, plastic
<b>Colour (bubble)</b>	clear

# HDD-2018PTZ1080

(Continuation Specifications)

Colour (housing)	RAL9003
Window heater	no
Blower	yes
Mounting	wall mount, ceiling mount
Supply voltage	24VAC, 24VAC ( $\pm 10\%$ ), 50/60Hz
Power consumption	65W
Temperature range (operation)	-10°C ~+45°C
Vandalism resistant	yes
Protection rating	IP66
Dimensions (HxWxD)	see drawing
Weight	1.65kg
Parts supplied	manual, screw set, plug set, allen key
Certificates	CE, IK10

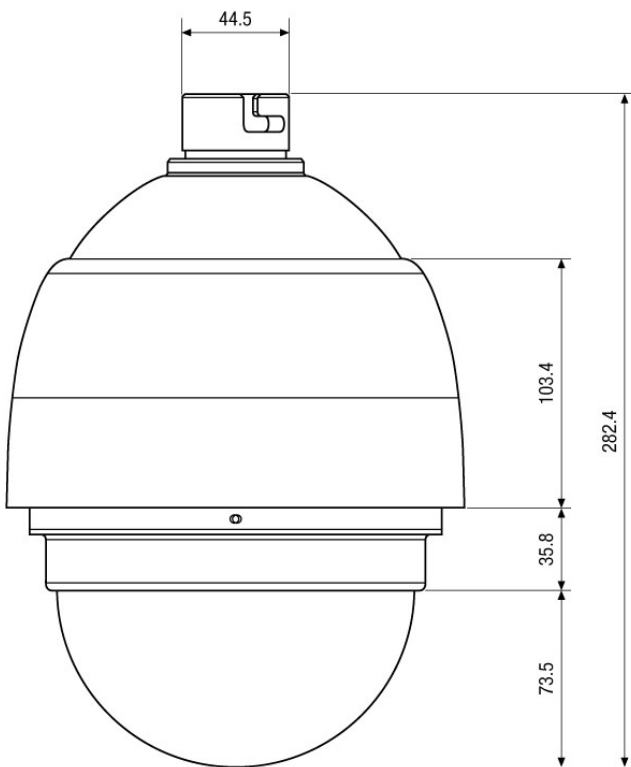
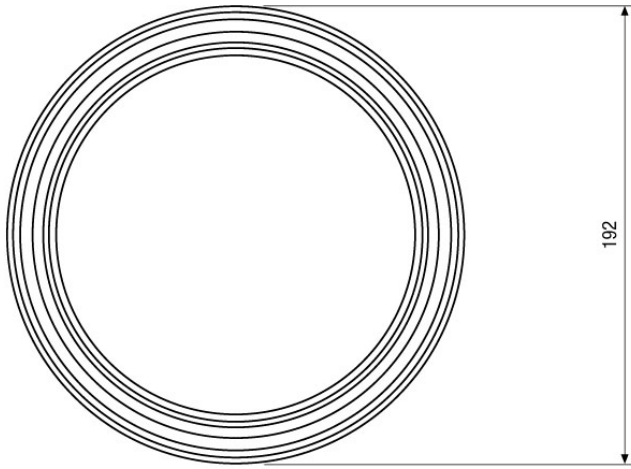
## Optional accessories

200827	PLD-CMT1	Ceiling Bracket, for Domes eneo PLD, PXD Series, 250mm, Safety Rope
200825	PLD-WMB1	Wall Bracket, for Domes, eneo PLD, PXD, HDD-PTZ Series, 348mm, Safety Rope
200828	NE-135	Power Supply Unit, for Domes eneo PLD, PXD Series, 230V/24VAC, 3A, IP66
200830	PLD-CMA1	Corner Mount Adaptor, for eneo PLD-WMB1, PLD-WMB2

# HDD-2018PTZ1080

Home | Security | HDcctv / HD-SDI | PTZ Domes

## Technical drawing



Maße/Dimensions: mm

GENITECH Comptabilité

36 Rte de Montpellier · 34230 Vendémian · FR  
Phone - 0811.040.048 · Telefax - 01.49.63.74.51  
genitech@genitech.fr · www.genitech.fr