

FCB-SE600

Colour Block Camera



IMAGE SENSING SOLUTIONS

Sony is expanding its popular FCB block camera series with the introduction of a highly compact, all-in-one colour camera - the FCB-SE600.



FCB-SE600

Features

■ Compact Size

The FCB-SE600 is a highly compact, all-in-one camera that can be easily integrated into space-restricted environments such as a 3" mini-dome enclosure.

■ Motorized Zoom and One push AF

The FCB-SE600 features a wide-angle 3x vari-focal lens which allows for motorized zoom and focus even when in 90-degree wide view. This camera can be easily integrated in mini-domes requiring a wider view of monitoring areas. In addition, the camera offers a One push AF function for ease of use.

■ Full HD Superb Picture Quality

Boasting approximately 3.27 megapixels, the FCB-SE600 produces Full HD (1080p 30) image quality to deliver high-resolution images for demanding applications.

■ High Sensitivity

By incorporating Sony's reputable Exmor CMOS sensor technology, the FCB-SE600 captures high-quality images even in low light environments.

■ Rich Security Features

The FCB-SE600 camera includes the renowned security features of the FCB Series, such as Auto ICR, Wide-D, Privacy Zone Masking, Motion Detection, Temperature Readout, and Noise Reduction. These features enable the camera to be used in a wide variety of security applications without the need for additional external devices or software.

The FCB-SE600 is cleverly designed with a 3x vari-focal lens, Exmor™ sensor, and image processor and interface (I/F) board, all combined in an ultra-compact body. Its petite design goes a long way to reducing the size of finished OEM products.

Ideally suited to surveillance applications, the FCB-SE600 incorporates a 1/2.8-type Exmor CMOS sensor that achieves Full HD resolution (1080p 30) and superb sensitivity in low light environments. In addition, the FCB-SE600 features a 3x vari-focal lens with motorized zoom capability and One push AF (auto focus) function. The FCB-SE600 also inherits some of the unique features of Sony's popular FCB Series cameras such as Auto ICR, Wide-D, Privacy Zone Masking, and Noise Reduction.

These outstanding features and benefits, coupled with its smart size, make the FCB-SE600 ideal for demanding applications such as video surveillance, public transportation, sports, video conferencing, and more.

Specifications

FCB-SE600	
Camera	
Image Sensor	1/2.8-type Exmor CMOS
Image Sensor (Number of effective pixels)	Approx. 3.27 Megapixels
Image Size	1920 x 1080 1280x 720
Signal System (HD)	1080p/30, 1080p/25, 1080i/60 (30 PsF), 1080i/50 (25 PsF) 720p/60, 720p/50, 720p/30, 720p/25
Minimum illumination (50%, High sensitivity mode)	0.25 lx (F1.2, ICR off) 0.03 lx (F1.2, ICR on)
Minimum illumination (50%, Normal mode)	1.0 lx (F1.2, ICR off) 0.1 lx (F1.2, ICR on)
Recommended illumination	100 lx to 100,000 lx
Gain	Auto/Manual : -3 dB to +28 dB, +2 dB step/total 16 steps Max. Gain Limit: (+6 dB to +28 dB, +2 dB step/total 12 steps)
Shutter Speed	1/1 to 1/10,000 s, total 22 steps
Sync System	Internal
AE Control	Auto, Manual, Priority mode (shutter priority & iris priority), Bright, EV compensation, Slow AE
Backlight Compensation	Yes
Aperture Control	16 steps
White Balance	Auto, ATW, Indoor, Outdoor, Outdoor Auto, Sodium Vapor Lamp (Fix/Auto), One-push, Manual
Lens	Motorized 3x Vari-focal lens f=3.0 mm (wide) to 9.0 mm (tele) F1.2 to F2.1
Digital Zoom	12x (36x with optical zoom)
Focusing System	One push AF, Manual focus
Angle of View (H, 1080p mode)	Approx. 90° (wide) to 32° (tele)
Angle of View (H, 720p mode)	Approx. 60° (wide) to 21° (tele)
Minimum Object Distance	300 mm
Camera Features	
Auto ICR	Yes
Wide-D*	Yes (On/Off/Auto)**
Noise Reduction	Yes (On/Off, On: Level 5 to 1)
Image Stabilization	No
Digital Output	Yes
Spherical Privacy Zone Masking	Yes
Motion Detection	Yes
Alarm	No
Slow AE Response	Yes (Approx. 5 minutes)
Picture Effects	Yes (E-Flip, Nega Art, Black & White, Mirror image, enhancement)
Picture Freeze	Yes
Slow Shutter	Yes (Auto: Up to 1/4s for 1080p/30, 1/3s for 1080p/25)
Temperature Readout	Yes
Title Display	Yes (20 characters/line, max. 11 lines)
Camera Mode Display	Yes
Key Switch Control	Yes
Camera Operation Switch	No
Presets	6 positions
Interface	
Video Output	Digital Y/Pb/Pr 4:2:2, LVDS***
Camera Control Interface	ViSCA (CMOS 5 V level) Baud rate: 9.6 Kbps, 19.2 Kbps, 38.4 Kbps Stop bit: 1 bit
General	
Power Requirements	5 V to 5.5 V DC
Power Consumption	Less than 1.2 W (zoom/focus inactive)
Operating Temperature	-5 °C to +60 °C
Storage Temperature	-20 °C to +60 °C
Operating Humidity	20% to 80%
Storage Humidity	20% to 95%
Dimensions (W x H x D)	50.0 x 47.6 x 53.4 mm (2 x 1 7/8 x 2 1/8 inches)
Mass	Approx. 83 g (3 oz)

* Wide dynamic range

** Half frame rate at Off mode 15fps in 1080p/30

*** SAV/EAV signal is not supported

Pin assignment & connector

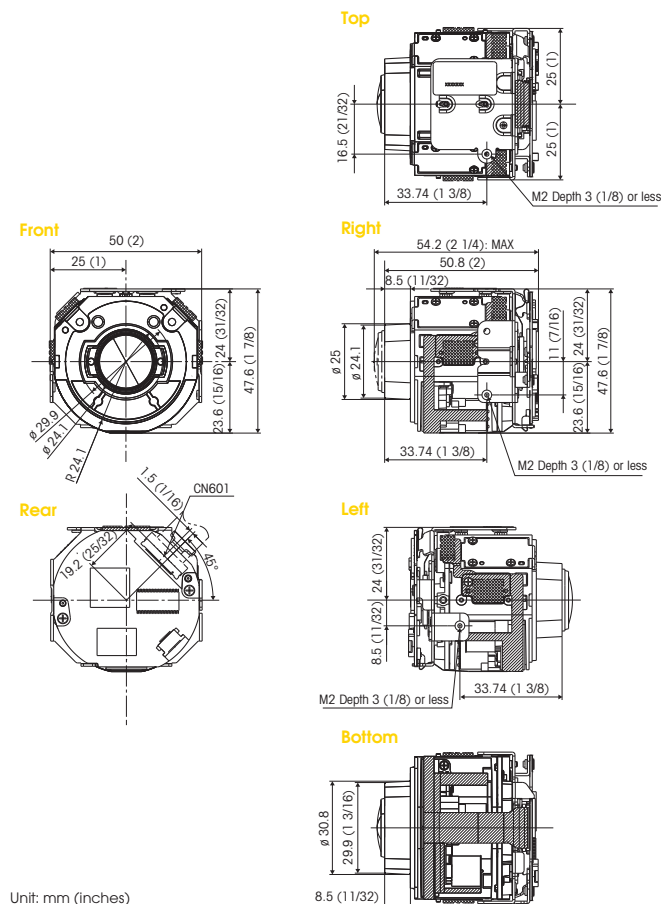
CN601

30-pin Micro Coaxial Connector (USL00-30L-C, KEL Corp.)

(for power supply/communication/video out (digital))

Pin No.	Name	Level
1	TXOUT3+	LVDS
2	TXOUT3-	LVDS
3	TXCLKOUT+	LVDS
4	TXCLKOUT-	LVDS
5	TXOUT2+	LVDS
6	TXOUT2-	LVDS
7	TXOUT1+	LVDS
8	TXOUT1-	LVDS
9	TXOUT0+	LVDS
10	TXOUT0-	LVDS
11	GND	
12	TxD	CMOS 5 V (at 5 V DC IN, Low: Max. 0.1 V, High: Min. 4.4 V)
13	RxD	CMOS 5 V (at 5 V DC IN, Low: Max. 0.8 V, High: Min. 2.0 V)
14	DC IN	5 V to 5.5 V DC
15	DC IN	5 V to 5.5 V DC
16	DC IN	5 V to 5.5 V DC
17	DC IN	5 V to 5.5 V DC
18	DC IN	5 V to 5.5 V DC
19	GND	GND
20	GND	GND
21	GND	GND
22	GND	GND
23	GND	GND
24	GND	GND
25	ONE PUSH AF	Active: Low (GND) Normal: Open
26	RESET IN	RESET: Low (GND) Normal: Open
27	FOCUS FAR	Active: Low (GND) Normal: Open
28	FOCUS NEAR	Active: Low (GND) Normal: Open
29	ZOOM WIDE	Active: Low (GND) Normal: Open
30	ZOOM TELE	Active: Low (GND) Normal: Open

Dimensions



Unit: mm (inches)

Distributed by

© 2010 Sony Corporation. All rights reserved. Reproduction in whole or in part without written permission is prohibited. Features and specifications are subject to change without notice. The values for mass and dimension are approximate. ViSCA is a trademark of Sony Corporation. All other properties are the property of their respective owners. Sony is a registered trademark of Sony Corporation.

PHC_27/10/2011

SONY
make.believe