

# 3G HD-SDI Interface Board for Tamron MP110M-VC, MP110M-VC

# GTAV-8651



- 3G HD-SDI output
- 1080p60/50/30/25 - 720p60/50
- 1080i60/50
- SMPTE ST424M A - ST292M
- RS232/TTL serial control
- 9.5 -12V DC Régulée
- Cables et kit de montage
- Dimensions : 36 x 60 mm

## CONNECTEURS

### J2 KEL USL00-30L-A : Camera

Cable KEL 30 pts – micro coaxiaux

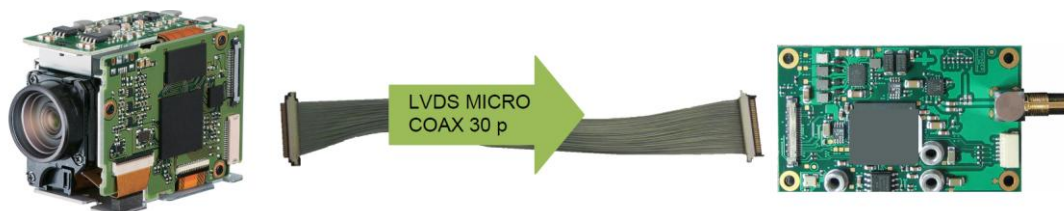
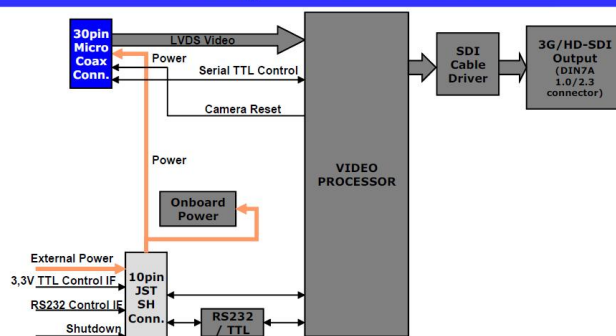
### J3 JST BM10B-SRSS-TB : Power & RS232/TTL Control IF

- 1 DC IN
  - 2 DC IN
  - 3 GND
  - 4 GND
  - 5 Reset / Shut Down, pull to GND to reset/shut down TL7650 and camera\*
  - 6 GND
  - 7 TXD\_TTL (serial IF transmit, 3.3V) and/or temperature alert output
  - 8 RXD\_TTL (serial IF receive, 3.3V)
  - 9 RXD\_232 (serial IF receive, RS232 level)
  - 10 TXD\_232 (serial IF transmit, RS232 level)
- \*for reset, pull to GND for one second or longer  
Note: Connect RS232 or TTL serial interface, not both

### J4 75 ohms coaxial jack : HD-SDI output

Default type: CEI C-SX113 (DIN7A / 1.0/2.3 coax system)

## Bloc Diagram GTAV-8651



## Applications :

- Broadcast
- UAV, ROV
- Médical
- Aéronautics
- Robotic
- Defense
- Police



## Supplied Accessories

- 30 ways Kel Câble
- 10 ways connector
- Mounting kit