

HDC-1004M1080

Home | Security | HDcctv / HD-SDI | Boxed

HDC-1004M1080
1/3" HD-SDI Board Camera, 1920x1080, WDR, 3DNR,
3.7mm, 12VDC

Art-Nr. 204274



Main Features

1/3" 2.1 megapixels Progressive Scan CMOS	Digital zoom (0x - 20x)
Resolution max. 1920 x 1080 (HD 1080p)	Privacy zones
1.5G HD-SDI video transmission via coax	Supply voltage: 12VDC
WDR (wide dynamic range)	Compact board size (38x38mm)
Integral motion detection	OSD Control Joystick
RS-485 communication (Pelco D)	

Specifications

Series	eneo HDcctv
System	electronic Day&Night
Sensor size	1/3"
Imager	CMOS, Sony Exmor
Active picture elements	1984(H) x 1105(V)
Synchronization	internal
Signal-to-noise ratio	50dB
Resolution	1920x1080 (16:9), 1280x720 (16:9)
Frame rate	1080 @ 25/30p, 720 @ 50/60p
Sensitivity	0,5 Lux, (colour), @ 50 IRE
Exposure modes	automatic, manual
Automatic electronic shutter (ESC)	1/25~1/30000sec.
Low speed shutter	yes, 0x~4x

HDC-1004M1080

(Continuation Specifications)

Automatic gain control (AGC)	0~23dB
Digital Noise Reduction (DNR)	yes, 3D NR
Mirror function	V flip, H-flip
White balance	push lock, manual, automatic
Backlight compensation	BLC, ON/OFF switchable
Wide Dynamic Range (WDR)	WDR, D-WDR, 4 modes
IR cut filter	standard
Video outputs	HD-SDI (BNC) SMPTE 292M standard, composite control out
Lens type	fixed focal length
Focal length	3,7 mm
e-PTZ support	no
Digital zoom	yes
Illumination	no
Menu languages	German, English, French, Spanish, Portugese, Russian
OSD function control	resolution, AGC, exposure, motion detection, WDR, white balance, shutter control, DNR, privacy zones, H/V flip (mirror picture)
Text display	camera title, camera ID
Activity detection	yes
Privacy zones masking	30 zones masking
Serial interfaces	RS-485
Serial interfaces protocols	Pelco D
External connections	voltage input, HD-SDI BNC output, RS-485
Temperature range (operation)	-10°C ~+50°C
Housing	indoor
Hidden cable management	no
Colour (housing)	black
Vandalism resistant	no
Protection rating	n/a
Alarm inputs	no
Alarm outputs	no
Supply voltage	12VDC, (+/-10%)
Power consumption	2W
Dimensions (HxWxD)	38x38x33mm
Weight	80g
Parts supplied	manual, screw set, Connection cable set, Mounting Bracket
Certificates	CE, FCC

Optional accessories

203658	VT-PS12DC-11	Plug-in Power Supply Unit, 100-240VAC/12VDC (1.0A), Regulated, with DC Plug
--------	--------------	---

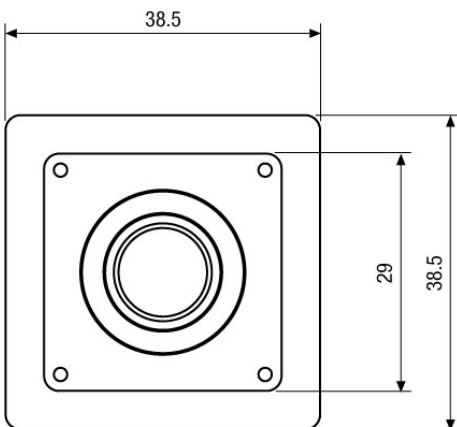
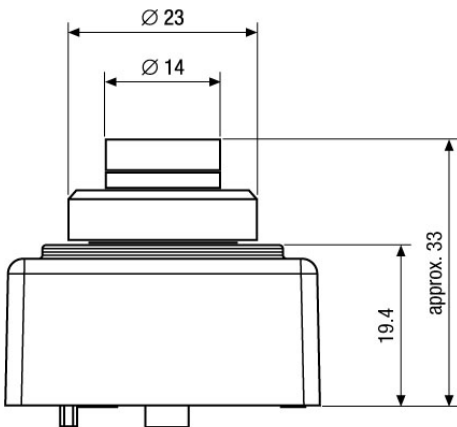
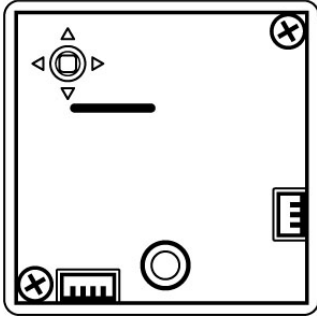
HDC-1004M1080

200836	HDA-1002EC	Extender/Converter 1 x HD-SDI Input, 1 x HD-SDI Output, 1 x HDMI Output
204247	HDA-1020TRB	HD-SDI Balun, Transmitter-Receiver pair, UTP cable transmission
200818	HDA-1001E	Repeater HD-SDI, 1 x HD-SDI Input, 1 x HD-SDI Output
200817	HDA-1004D	Distributor HD-SDI, 1 x HD-SDI Input, 4 x HD-SDI Outputs
204246	HDA-1010TRE	HD-SDI Extender, Transmitter-Receiver Pair, Coaxial Cable Transmission

HDC-1004M1080

Home | Security | HDcctv / HD-SDI | Boxed

Technical drawing



Maße/Dimensions: mm

GENITECH Comptabilité

36 Rte de Montpellier · 34230 Argenteuil Vendémian · FR
Phone - 0811.040.048 · Telefax - 01.49.63.74.51
genitech@genitech.fr · — www.genitech.fr

GENITECH