

# HDC-18M1080



2MP HD-SDI Mini Box Camera

**HD-SDI**  
**EX-SDI**



## Features

- 1/3" 2MP Panasonic CMOS sensor
- HD-SDI, EX-SDI, CVBS
- 32x Digital Zoom
- Real-time True WDR
- Digital Noise Reduction(2D+3D)
- Digital Slow Shutter
- Digital Image Stabilization
- Privacy Mask Function
- High Light Compensation
- Defog Function
- ACE(Digital WDR)
- Motion Detection
- C/CS Mount

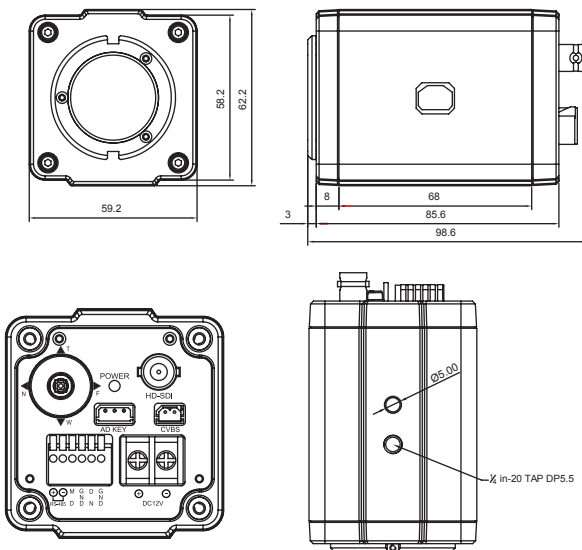
MODEL		HDC-18M1080
<b>CAMERA</b>		
Image Sensor	1/3" Panasonic CMOS Sensor	
Total Pixels	1956 (H) x 1266 (V) = 2.48M Pixels	
Active Pixels	1944 (H) x 1092 (V) = 2.12M Pixels	
Video Format	1080p@60/50fps, 1080p@30/25fps, 720p@60/50fps, 720p@30/25fps	
Min. Illumination	Color	0.5 lux / DSS 0.002 lux
	BW	0.1lux / DSS 0.001 lux
S/N Ratio	more than 50dB (AGC off)	
Video Output	HD-SDI, EX-SDI, CVBS	

LENS	
Lens Type	C/CS mount lens

CAMERA FUNCTIONS	
Camera Title	ID / Title / Zoom Ratio / System Message
Day & Night	Auto / Day / Night / Ext-in
WDR/BLC	Off / WDR / BLC / HLC
ACE	Off / Low / Middle / High
DNR	Auto / Off / Low / Middle / High
Defog	Off / On(Auto / Manual)
Image Stabilization	Off / On
Motion Detection	Off / On (3 positions)
Privacy Mask	Off / On (24 positions)
Digital Slow Shutter	Off /x2 /x4
Gain Control	Off / On
White Balance	Auto / One Push / Manual / Indoor / Outdoor
Shutter Speed	1/30(25) ~ 1/30,000 sec
E.Zoom	Off / x2 ~ x32
Digital Flip	Off / H / V / H&V

## Dimensions

Unit : mm



GENERAL	
Power Source	DC12V±10%
Power Consumption	250mA
Operating Temperature	-10°C ~ +50°C / 0% ~ 90% RH
Dimensions	59.2(W) x 62.2(H) x 98.6(D) mm
Weight	0.24Kg