

1/2" High Sensitivity Camera

HDC-S128M1080



2MP 12x AF HD-SDI Box Camera

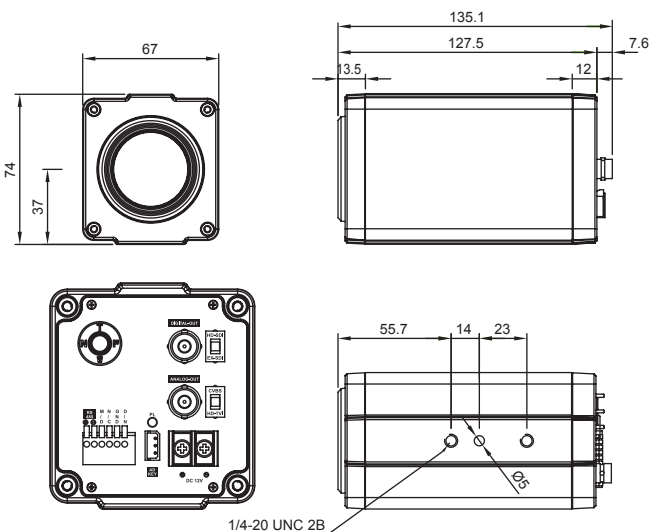


Features

- 1/2" 2MP Sony CMOS sensor
- HD-SDI, EX-SDI, TVI, CVBS
- 12x Optical Zoom(7mm~84mm) & 32x Digital Zoom
- Real-time True WDR
- Digital Noise Reduction(2D+3D)
- Digital Slow Shutter
- Digital Image Stabilization
- Privacy Mask Function
- High Light Compensation
- Defog Function
- ACE(Digital WDR)
- Motion Detection
- Protocol(VISCA, Pelco-D, Pelco-P)

Dimensions

Unit : mm



MODEL		HDC-S128M1080		
CAMERA				
Image Sensor	1/2" Sony CMOS Sensor			
Total Pixels	1952(H) x 1241(V) = 2.42M Pixels			
Active Pixels	1937(H) x 1097 (V) = 2.12M Pixels			
Video Format	1080p@60/50fps, 1080p@30/25fps, 720p@60/50fps, 720p@30/25fps			
Min. Illumination	Color	0.15 lux / DSS 0.0375 lux		
	BW	0.01lux / DSS 0.002 lux		
S/N Ratio	more than 50dB (AGC off)			
Video Output	HD-SDI, EX-SDI, TVI, CVBS			
LENS		12x		
Lens Type	12x Day & Night Zoom Lens			
Zoom Ratio	Optical 12x, Digital 32x Zoom			
Focal Length	f = 7.0mm ~ 84mm			
Aperture Ratio	F1.5 (wide) ~ F1.9 (tele)			
Angle Of View (D, H, V)	WIDE	60.70°	54.07°	32.03°
	TELE	5.72°	4.98°	2.80°
CAMERA FUNCTIONS				
Camera Title	ID / Title / Zoom Ratio / System Message			
Day & Night	Auto / Day / Night / Ext-in			
WDR/BLC	Off / WDR / BLC / HLC			
ACE	Off / Low / Middle / High			
DNR	Auto / Off / Low / Middle / High			
Defog	Off / On(Auto / Manual)			
Image Stabilization	Off / On			
Motion Detection	Off / On (3 positions)			
Privacy Mask	Off / On (24 positions)			
Digital Slow Shutter	Off /x2 /x4			
Gain Control	Off / On			
White Balance	Auto / One Push / Manual / Indoor / Outdoor			
Shutter Speed	1/30(25) ~ 1/30,000 sec			
E.Zoom	Off / x2 ~ x32			
Digital Flip	Off / H / V / H&V			
GENERAL				
Power Source	DC12V±10%			
Power Consumption	Max 500mA			
Operating Temperature	-10°C ~ +50°C / 0% ~ 90% RH			
Dimensions	67(W) x 74(H) x 135.1(D) mm			
Weight	0.57Kg			