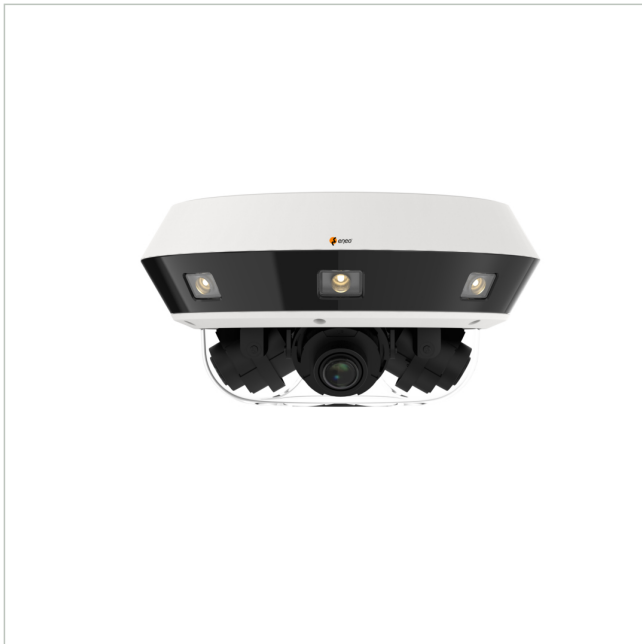


INM-78M2812M0A

SKU: 236668



Network Multisensor camera, 4x 3840x2160, Day&Night, 2,8-12mm IR, White light, WDR, IK10, IP67

Main Features

Multidirectional camera 4x 1/1.8" CMOS
Max. Resolution 3840 x 2160, frame rate 25fps
Lenses with motorised focal length 2.8-12mm
AI analysis functions including object classification
Smart codec H.265/H.264, multi-streaming
Browser-independent (Edge, Safari, Firefox, Chrome)

Supports T-WDR, BLC, HLC and 3D DNR
Supports ONVIF profiles G, S and T
Integrated IR and white light illumination
12VDC, 24VAC or PoE++ (IEEE 802.3bt)
For outdoor use IP67, vandalism protected IK10
Wall bracket and PoE injector included

Specifications

General:	
Dimensions (HxWxD)	146x300mm
Illumination	8x Dual Illuminator, Infrared, White light
SDK	upon request
Sunshield	no
Text display	ON/OFF switchable
Series	eneo IN-Series
Camera Type	Multisensor Camera
Housing	Outdoor
Color (housing)	Pantone P 179-1, RAL9003
Color (bubble)	clear

INM-78M2812M0A

Continuation of the specifications

Housing material	Aluminium
Heater	yes
Window heater	no
Blower	no
Mounting	Wall mount
Supply voltage	12VDC, 24VAC, PoE++
Power consumption	35W @ 24VAC, 40W @ 12VDC, 41W @ PoE
Power over Ethernet	IEEE 802.3bt
Vandal proof	yes
Operating temperature	-30°C ~ +55°C, @ Humidity 95% or less (non-condensing)
ONVIF	ONVIF Profile G, ONVIF Profile S, ONVIF Profile T
Certifications	IK10
Protection rating	IP67
Illumination range	approx. 35m IR, approx.25m White Light
Weight	4.6kg
DORI:	
Observe (62 px/m)	28,4 - 103,5 m
Recognize (125 px/m)	13,4 - 51,7 m
Identify (250 px/m)	6,1 - 25,8 m
Detect (25px/m)	72,5 - 264 m
Functions:	
Alarm processing	recording internal storage (SD card),E-Mail,HTTP,FTP,TCP,UDP,alarm out,Cloud Upload
Motion detector	yes
OSD function control	analyse functions
Menu languages	English,German,French,Italian,Portugese,Spanish,Turkish,Russian,Japanese
Mirror function	V flip,H-flip,H/V flip
Multicast compliant	yes
Password protection	administrator & users
Privacy zone masking	Areas-ON/OFF switchable
Web browser	MS Internet Explorer 8/9/10/11,Google Chrome 44/lower,Firefox 51/lower,Safari 11/lower
Digital Noise Reduction	3D-DNR, yes
Audio support	yes
Internal storage	256GB, microSD card, microSDHC card, microSDXC card
Analysis functions	Cross Counting (CC), Crowd Density Detection (CD), Face Detection (FD), Heat Map (HM), Human&Vehicle Detection (PD&VD), License Plate Recognition (LPR), Line Crossing Detection (LCD), Perimeter Intrusion Detection (PID), Queue Length Detection (QD), Stationary Object Detection (SOD)

INM-78M2812M0A

Continuation of the specifications

Remote configuration	Browser
Camera:	
Imager	Progressive scan, CMOS
Automatic electronic shutter (ESC)	1/5 ~ 1/20.000sec.
Backlight compensation	BLC, HLC
Low speed shutter	yes
Manual electronic shutter (MES)	1/5 ~ 1/20.000sec.
Day&Night mode	Day, Night, Automatic, Time
White balance	Automatic
Wide Dynamic Range (WDR)	WDR 120dB
Resolution Standard	32 Megapixel
System	electronic Day&Night
Sensor size	1/1.8"
Day&Night switch	ICR
Sensitivity	0,006 Lux bei F1,2
Camera type	Dome
Parts supplied:	
Parts supplied	manual, bag of screws, wall bracket, PoE-Injector 100-240VAC~ 56VDC, 60W
Network:	
Network protocols	TCP/IP, HTTP, DHCP, DNS, DDNS, RTP, RTSP, SMTP, NTP, UPnP, SNMP, HTTPS, FTP, PPPoE
Network connection	1 x 10/100/1000BASE-T
Lens:	
Lens Type	Varifocal (motorized)
Focal Length	2,8 - 12 mm
Iris Control	DC
Interfaces / Inputs/ Outputs:	
External connectors	RJ-45, 12VDC input, 24VAC input, Alarm in/output, Audio input/output, micro SD card slot 256 GB
Video outputs	no
Alarm inputs	ja
Alarm outputs	yes
Ethernet interface	1000Base-T, 100Base-TX, 10Base-T
Serial interfaces	Ethernet
Video:	
Resolution	3840x2140 (16:9), 2592x1944 (4:3), 2592x1520 (16:9), 2304x1296 (16:9), 1920x1080 (16:9), 1280x960 (4:3), 1280x720 (16:9), 640x480 (4:3), 320x240 (4:3)
Image display	16:9, 4:3
Stream types	Triple-Stream (Main/Sub/Mobile)
Video compression	H.264, H.264+ (Smart Stream), H.265, H.265+ (Smart Stream), M-JPEG

INM-78M2812M0A

Continuation of the specifications

Image resolution max.	3840x2160
Image Transmission Rate	30 fps
Frame rate	3840 × 2160)@25/30fps pro Kanal
Other	
Remarks	To guarantee you an optimum user experience, we recommend that you only use components of the same brand in a system. If several brands are used in combination, eneo cannot guarantee functionality. If combined use is necessary, we offer a compatibility check for a fee (for more information, see article number #229235 at VIDEOR).
Horizontal Angle of View	48 - 112°
Vertical Angle of View	27 - 58°
Manufacturer order number	236668

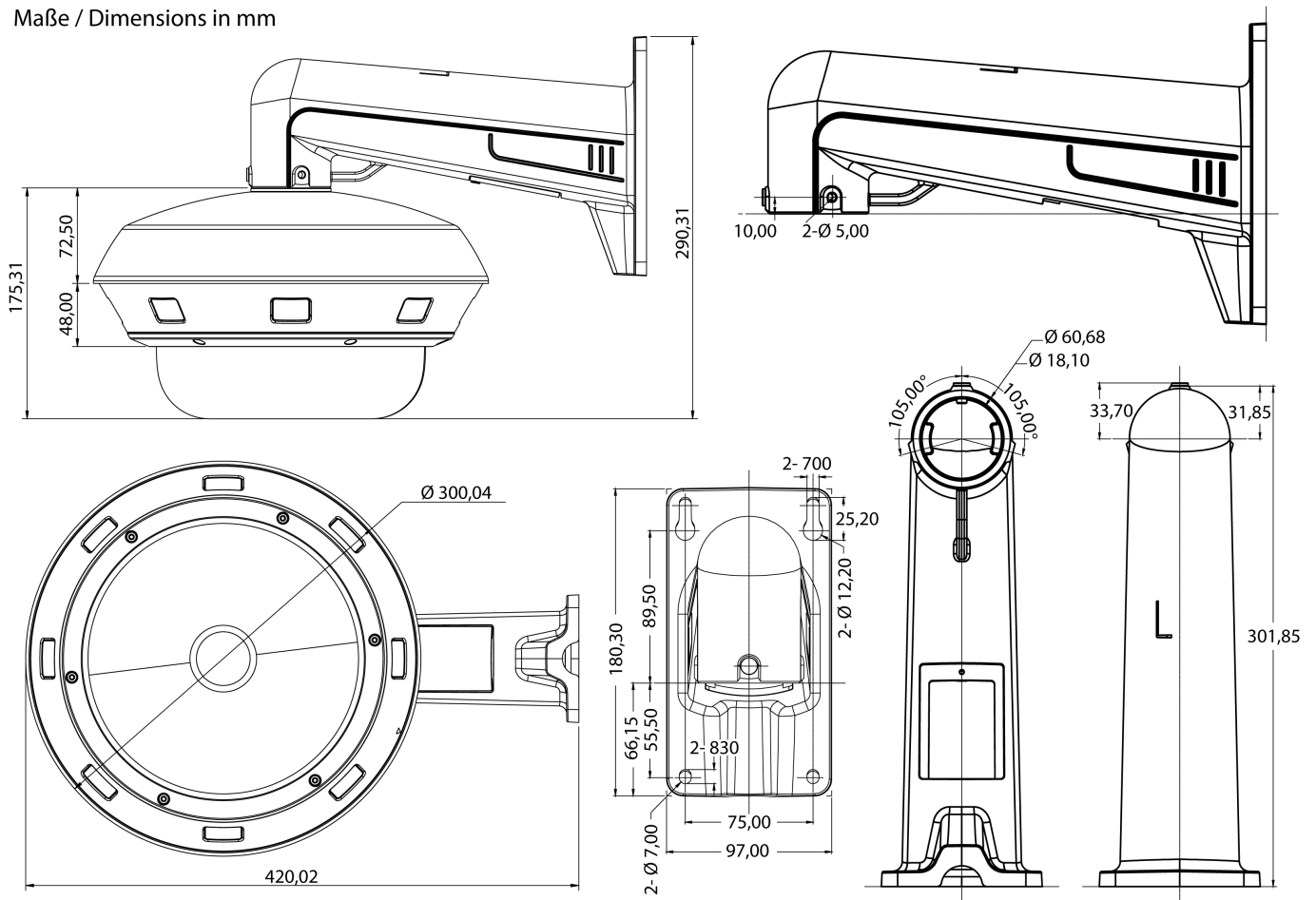
Optional Accessory

SKU	Name	Description
235562	CM-22	Corner mounting adapter for wall bracket WB-24 and PTZ dome camera INP-75A0033MIA
238984	DOME-CH7	Ceiling mount IN-Series Length approx. 294mm
236198	eneo INsight Installation Tool	Supports adjustments for cameras with AI features for IN-series
218218	eneo Site Manager	Management Software for eneo IP products
235257	PM-21	Pole mounting adapter for camera connection box AK-20 and AK-21

INM-78M2812M0A

Technical Drawing

Maße / Dimensions in mm



eneo is a registered trademark of
VIDEOR E. Hartig GmbH
Carl-Zeiss-Straße 8

63322 Rödermark, Deutschland

Phone: +49 6074 - 888 - 300
Fax: +49 6074 - 888 - 100
E-Mail: info@eneo-security.com
Web: www.eneo-security.com

Stay informed and subscribe
to the eneo newsletter

