

SAMSUNG

Completion of professional security 19" LED Monitor



19" LED Monitor

SMT-1934

- Supports up to 1280 x 1024 resolution, 4:3 display
- Superior image quality DNIe (Digital Natural Image engine)
- High contrast ratio 1000:1
- 120Hz processing smooth judder in motion
- Fast response time 5ms
- Durable tempered glass screen

19" LED Monitor

SMT-1934

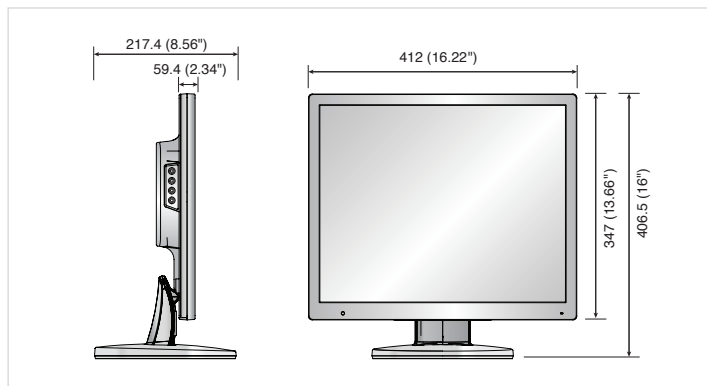


Specifications

SMT-1934		
Display		
Type	LED	
Screen Size	19"	
Brightness	250cd/m ²	
Max. Resolution	VGA(D-SUB)	1,280 x 1,024
	BNC(CVBS)	600TVL
Contrast Ratio	1,000 : 1	
Aspect Ratio	4 : 3	
Viewing Angle (H/V)	170° / 160°	
Display Color	16.7million	
Response Time	5ms	
Video System	NTSC / PAL	
Panel Life	30,000 hours	
Filter Type	3D combfilter	
Interface		
Video Connector	BNC types (2 in / 2 out)	
RGB Connector	1 Analogue RGB 15-pin D-sub	
HDMI Connector	1 HDMI input (Type A connector)	
Audio Connector	2 RCA type (2 Stereo inputs)	
Input Signal	0.7 Vp-p ±5%	
Output Signal	Speakers : 2 x 1W	
Application Support		
On Screen Display	Remote controller	
Functions		
	VESA™ DPM compatible	
Language		
	English, Spanish, French, German, Italian, Portuguese, Russian, Swedish, Turkish, Taiwanese, Chinese, Japanese, Korean	
General		
Electrical	Input Voltage	AC 100 ~ 240V (50/60Hz)
	Power Consumption	Max. 35W
Environmental	Operating Temperature	0 ~ +40°C (+32°F ~ +104°F)
	Humidity	20% ~ 90% (Non-condensing)
Mechanical	Dimensions with Stand (WxHxD)	412 x 406.5mm x 217.4mm (16.22"x 16" x 8.56")
	Dimensions without Stand (WxHxD)	412 x 347 x 59.4mm (16.22"x 13.66" x 2.34")
	Weight	5 kg (11.02lb)
	LCD Protection Glass	Yes
	Cabinet Color	Black
	VESA Mounts Interface	100 x 100mm

Dimensions

Unit : mm (inch)



Design and specifications are subject to change without notice.



The Eco mark represents Samsung Techwin's will to create environment-friendly products, and indicates that the product satisfies the EU RoHS Directive.



SAMSUNG TECHWIN CO., LTD.

701, Sampyeong-dong, Bundang-gu, Seongnam-si, Gyeonggi-do Korea 463-400
Tel : +82-70-7147-8741-8749, 8752-8760 Fax : +82-31-8018-3745
www.samsungsecurity.com www.samsungcctv.com

SAMSUNG TECHWIN AMERICA Inc.

100 Challenger Rd. Suite 700 Ridgely Park, NJ 07660
Toll Free : +1-877-213-1222 Direct : +1-201-325-6920
Fax : +1-201-373-0124
www.samsungcctvusa.com

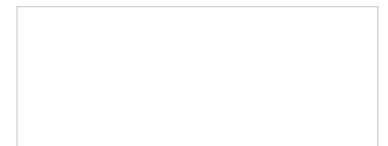
SAMSUNG TECHWIN EUROPE LTD.

Samsung House, 1000 Hillwood Drive, Hillwood Business Park
Chertsey, Surrey, UNITED KINGDOM KT16 0PS
Tel : +44-1932-45-5300 Fax : +44-1932-45-5325

TIANJIN SAMSUNG TECHWIN OPTO-ELECTRONICS CO., LTD.

No.11 Wei 6 Street, Micro-Electronic Industrial Park
Jingang Road, Tianjin, P.R. CHINA 300385
Tel : +86-22-23887788 Fax : +86-22-23887788

■ DISTRIBUTED BY



SAMSUNG

Completion of professional security 21.5" LED Monitor



21.5" Wide LED Monitor

SMT-2232

- Supports up to 1920 x 1080 resolution, 16:9 display
- Superior image quality DNIe (Digital Natural Image engine)
- High contrast ratio 1000:1
- 120Hz processing smooth judder in motion
- Fast response time 5ms
- Durable tempered glass screen

21.5" LED Monitor

SMT-2232

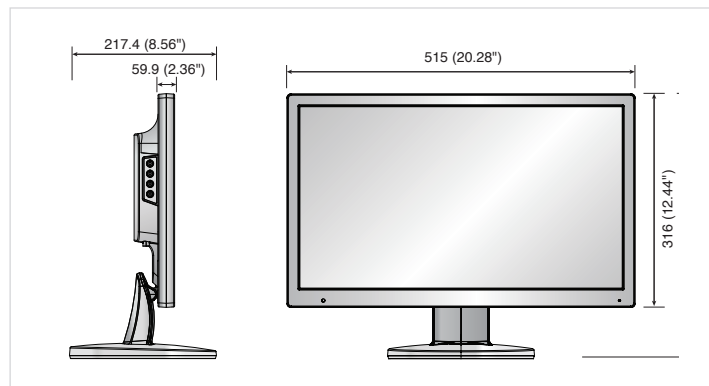


Specifications

SMT-2232		
Display		
Type	LED	
Screen Size	21.5"	
Brightness	250cd/m ²	
Max. Resolution	VGA(D-SUB)	1,920 x 1,080
	BNC(CVBS)	600TVL
Contrast Ratio	1,000 : 1	
Aspect Ratio	16 : 9	
Viewing Angle (H/V)	170° / 160°	
Display Color	16.7million	
Response Time	5ms	
Video System	NTSC / PAL	
Panel Life	30,000 hours	
Filter Type	3D combfilter	
Interface		
Video Connector	BNC types (2 in / 2 out)	
RGB Connector	1 Analogue RGB 15-pin D-sub	
Input Signal	0.7 Vp-p ±5%	
HDMI Connector	1 HDMI input (Type A connector)	
Audio Connector	2 RCA type (2 Stereo inputs)	
Output Signal	Speakers : 2 x 1W	
Application Support		
On Screen Display	Remote controller	
Functions		
	VESA™ DPM compatible	
Language		
	English, Spanish, French, German, Italian, Portuguese, Russian, Swedish, Turkish, Taiwanese, Chinese, Japanese, Korean	
General		
Electrical	Input Voltage	AC 100 ~ 240V (50/60Hz)
	Power Consumption	Max. 35W
Environmental	Operating Temperature	0 ~ +40°C (+32°F ~ +104°F)
	Humidity	20% ~ 90% (Non-condensing)
Mechanical	Dimensions with Stand (WxHxD)	515 x 391.8 x 217.4 mm (20.28" x 15.43" x 8.56")
	Dimensions without Stand (WxHxD)	515 x 316 x 59.9mm (20.28" x 12.44" x 2.36")
	Weight	5 kg (11.02lb)
	LCD Protection Glass	Yes
	Cabinet Color	Black
	VESA Mounts Interface	100 x 100mm

Dimensions

Unit : mm (inch)



The Eco mark represents Samsung Techwin's will to create environment-friendly products, and indicates that the product satisfies the EU RoHS Directive.

Design and specifications are subject to change without notice.



SAMSUNG TECHWIN CO., LTD.

701, Sampyeong-dong, Bundang-gu, Seongnam-si, Gyeonggi-do Korea 463-400
Tel : +82-70-7147-8741~8749, 8752~8760 Fax : +82-31-8018-3745
www.samsungsecurity.com www.samsungcctv.com

SAMSUNG TECHWIN AMERICA Inc.

100 Challenger Rd. Suite 700 Ridgefield Park, NJ 07660
Toll Free : +1-877-213-1222 Direct : +1-201-325-6920
Fax : +1-201-373-0124
www.samsungcctvusa.com

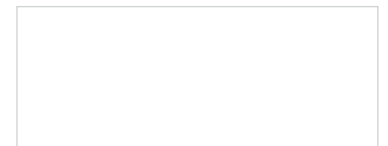
SAMSUNG TECHWIN EUROPE LTD.

Samsung House, 1000 Hillwood Drive, Hillwood Business Park
Chertsey, Surrey, UNITED KINGDOM KT16 0PS
Tel : +44-1932-45-5300 Fax : +44-1932-45-5325

TIANJIN SAMSUNG TECHWIN OPTO-ELECTRONICS CO., LTD.

No.11 Wei 6 Street, Micro-Electronic Industrial Park
Jingang Road, Tianjin, P.R. CHINA 300385
Tel : +86-22-23887788 Fax : +86-22-23887788

■ DISTRIBUTED BY



SAMSUNG

To be Security Professional 32"/40" LCD Monitor



40"/32" TFT-LCD Monitor

SMT-4023/3223

- Super high resolution 600TV lines
- High contrast ratio 3000 : 1 (SMT-4023)
High contrast ratio 3500 : 1 (SMT-3223)
- Fast response time 8ms
- HDMI, DVI, RGB and composite inputs
- Built-in Speaker

40"/32" TFT-LCD Monitor

SMT-4023/3223

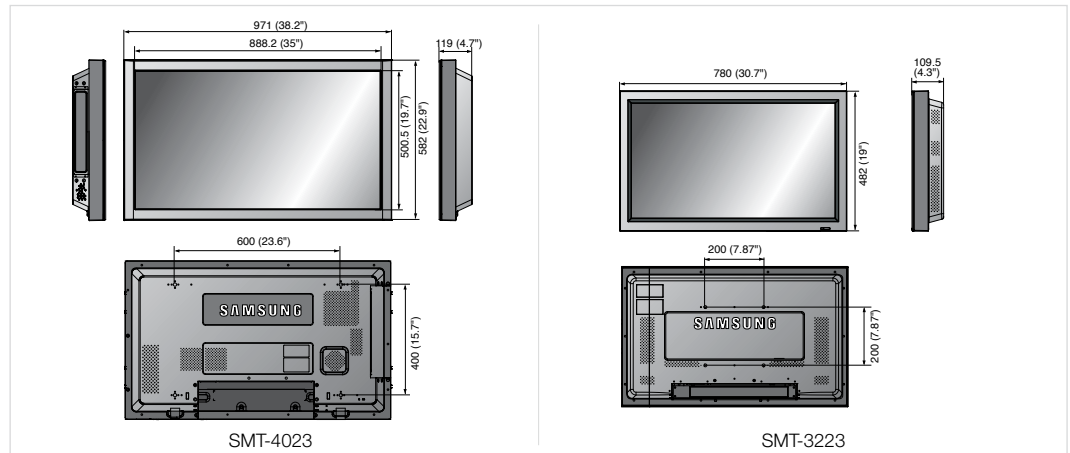


Specifications

		SMT-4023	SMT-3223
DISPLAY			
Screen Size	40"		32"
Max. Resolution	1,920x1,080		1,366 x 768
Brightness	450cd/m ²		
Contrast Ratio	3000 : 1		3,500 : 1
Aspect Ratio	16 : 9		
Viewing Angle (H/V)	178° / 178°		
Display Color	16.7million		
Response Time	8ms (G to G)		
Video System	NTSC / PAL		
Panel Life	50,000hours		
Filter Type	3D combfilter		
INTERFACE			
Video	Connector	CVBS, HDMI 1, HDMI 2, Component (D-sub 15pin)	
	Connector	Analog D-sub, DVI-D, Display port	
Input Signal	Input Signal	0.7 Vp-p ±5%	
	Available	640 x 350 @ 70Hz, 720 x 400 @ 70Hz 640 x 480 @ 60/72/75Hz (VGA) 800 x 600 @ 56/60/72/75Hz (SVGA) 1,024 x 768 @ 60 Hz/70/75Hz (XGA) 1,152 x 864 @ 75Hz, 1,152 x 870 @ 75 Hz 1,280 x 960 @ 60Hz, 1,280 x 1,024 @ 60/75Hz (SXGA) 1,366 x 768 @ 60Hz, 1,366 x 768 @ 60Hz (SMT-3223) 1,600 x 1,200 @ 60Hz (SMT-4023), 1,920 x 1,080 @ 60Hz (SMT-4023)	
RGB / DVI	Format		
	Available		
HDMI	Connector	HDMI 1, HDMI 2	
	Available	640 x 480p @ 60Hz, 720 x 480i @ 60Hz, 720 x 480p @ 60Hz 720 x 576i @ 50Hz, 720 x 576p @ 50Hz, 1,280 x 720p @ 50/60Hz 1,920 x 1,080i @ 50/60Hz, 1,920 x 1,080p @ 50/60Hz	
Audio	Connector	RCA (L/R), Stereo mini jack	
	Output Signal	Loop-through line level (PC only), Speakers : 2 x 5W	
Application Support			
ON SCREEN DISPLAY			
Functions	VESA™ DPM compatible		
Language	English, Spanish, French, German, Italian, Portuguese, Russian, Swedish, Turkey, Taiwanese, Chinese, Japanese, Korean		
GENERAL			
Electrical	Input Voltage	100 ~ 240V AC (50/60Hz)	
	Power Consumption	Type 150W	
Environmental	Operating Temperature	0 ~ +40°C (+32°F ~ +104°F)	
	Operating Humidity	10% ~ 80% (Non-condensing)	
Mechanical	Dimensions with Stand (WxHxD)	971.0 x 641.5 x 311.0 mm (38.23" X 25.26" X 12.24")	780.0 x 552.0 x 311.0 mm (30.71" X 21.73" X 12.24")
	Dimensions without Stand (WxHxD)	971.0 x 582.0 x 119.0 mm (38.23" x 22.91" x 4.69")	780.0 x 482.0 x 109.5 mm (30.71" X 18.98" X 4.31")
	Weight	19.3 Kg (42.5 lb)	13.7 Kg (30.2 lb)
	Cabinet Color	Black	
	Rack Mounts	Optional	
	VESA Mounts Interface	400 x 600mm	200 x 200mm
	Accessory (optional)	SBM-400ST	SBM-320ST

Dimensions

Unit : mm (inch)



Design and specifications are subject to change without notice.



The Eco mark represents Samsung Techwin's will to create environment-friendly products, and indicates that the product satisfies the EU RoHS Directive.



SAMSUNG TECHWIN CO., LTD.

701, Sampyeong-dong, Bundang-gu, Seongnam-si, Gyeonggi-do Korea 463-400
Tel : +82-70-7147-8741~8749, 8752~8760 Fax : +82-31-8018-3745
www.samsungsecurity.com www.samsungcctv.com

SAMSUNG TECHWIN AMERICA INC.

100 Challenger Rd. Suite 700 Ridgefield Park, NJ 07660
Toll Free : +1-877-213-1222 Direct : +1-201-325-6920
Fax : +1-201-373-0124
www.samsungcctvusa.com

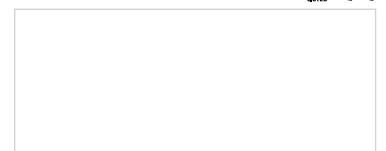
SAMSUNG TECHWIN EUROPE LTD.

Samsung House, 1000 Hillwood Drive, Hillwood Business Park
Chertsey, Surrey, UNITED KINGDOM KT16 0PS
Tel : +44-1932-45-5300 Fax : +44-1932-45-5325

TIANJIN SAMSUNG TECHWIN OPTO-ELECTRONICS CO., LTD.

No.11 Wei 6 Street, Micro-Electronic Industrial Park
Jingang Road, Tianjin, P.R. CHINA 300385
Tel : +86-22-23887788 Fax : +86-22-23887788

■ DISTRIBUTED BY



SAMSUNG

To be Security Professional 32"/40" LCD Monitor



40"/32" TFT-LCD Monitor

SMT-4023/3223

- Super high resolution 600TV lines
- High contrast ratio 3000 : 1 (SMT-4023)
High contrast ratio 3500 : 1 (SMT-3223)
- Fast response time 8ms
- HDMI, DVI, RGB and composite inputs
- Built-in Speaker

40"/32" TFT-LCD Monitor

SMT-4023/3223

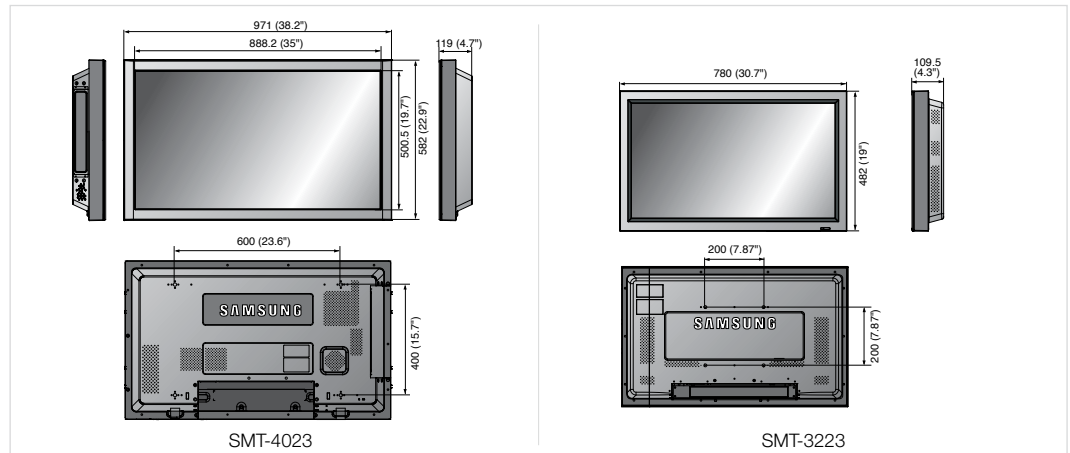


Specifications

		SMT-4023	SMT-3223
DISPLAY			
Screen Size	40"		32"
Max. Resolution	1,920x1,080		1,366 x 768
Brightness	450cd/m ²		
Contrast Ratio	3000 : 1		3,500 : 1
Aspect Ratio	16 : 9		
Viewing Angle (H/V)	178° / 178°		
Display Color	16.7million		
Response Time	8ms (G to G)		
Video System	NTSC / PAL		
Panel Life	50,000hours		
Filter Type	3D combfilter		
INTERFACE			
Video	Connector	CVBS, HDMI 1, HDMI 2, Component (D-sub 15pin)	
	Connector	Analog D-sub, DVI-D, Display port	
Input Signal	Input Signal	0.7 Vp-p ±5%	
	Available	640 x 350 @ 70Hz, 720 x 400 @ 70Hz 640 x 480 @ 60/72/75Hz (VGA) 800 x 600 @ 56/60/72/75Hz (SVGA) 1,024 x 768 @ 60 Hz/70/75Hz (XGA) 1,152 x 864 @ 75Hz, 1,152 x 870 @ 75 Hz 1,280 x 960 @ 60Hz, 1,280 x 1,024 @ 60/75Hz (SXGA) 1,366 x 768 @ 60Hz, 1,366 x 768 @ 60Hz (SMT-3223) 1,600 x 1,200 @ 60Hz (SMT-4023), 1,920 x 1,080 @ 60Hz (SMT-4023)	
RGB / DVI	Format		
	Available		
HDMI	Connector	HDMI 1, HDMI 2	
	Available	640 x 480p @ 60Hz, 720 x 480i @ 60Hz, 720 x 480p @ 60Hz 720 x 576i @ 50Hz, 720 x 576p @ 50Hz, 1,280 x 720p @ 50/60Hz 1,920 x 1,080i @ 50/60Hz, 1,920 x 1,080p @ 50/60Hz	
Audio	Connector	RCA (L/R), Stereo mini jack	
	Output Signal	Loop-through line level (PC only), Speakers : 2 x 5W	
Application Support			
ON SCREEN DISPLAY			
Functions			
Language			
English, Spanish, French, German, Italian, Portuguese, Russian, Swedish, Turkey, Taiwanese, Chinese, Japanese, Korean			
GENERAL			
Electrical	Input Voltage	100 ~ 240V AC (50/60Hz)	
	Power Consumption	Type 150W	
Environmental	Operating Temperature	0 ~ +40°C (+32°F ~ +104°F)	
	Operating Humidity	10% ~ 80% (Non-condensing)	
Mechanical	Dimensions with Stand (WxHxD)	971.0 x 641.5 x 311.0 mm (38.23" X 25.26" X 12.24")	780.0 x 552.0 x 311.0 mm (30.71" X 21.73" X 12.24")
	Dimensions without Stand (WxHxD)	971.0 x 582.0 x 119.0 mm (38.23" x 22.91" x 4.69")	780.0 x 482.0 x 109.5 mm (30.71" X 18.98" X 4.31")
Accessories	Weight	19.3 Kg (42.5 lb)	13.7 Kg (30.2 lb)
	Cabinet Color	Black	
Rack Mounts	Rack Mounts	Optional	
	VESA Mounts Interface	400 x 600mm	200 x 200mm
Accessory (optional)		SBM-400ST	SBM-320ST

Dimensions

Unit : mm (inch)



Design and specifications are subject to change without notice.



The Eco mark represents Samsung Techwin's will to create environment-friendly products, and indicates that the product satisfies the EU RoHS Directive.



SAMSUNG TECHWIN CO., LTD.

701, Sampyeong-dong, Bundang-gu, Seongnam-si, Gyeonggi-do Korea 463-400
Tel : +82-70-7147-8741-8749, 8752-8760 Fax : +82-31-8018-3745
www.samsungsecurity.com www.samsungcctv.com

SAMSUNG TECHWIN AMERICA INC.

100 Challenger Rd. Suite 700 Ridgefield Park, NJ 07660
Toll Free : +1-877-213-1222 Direct : +1-201-325-6920
Fax : +1-201-373-0124
www.samsungcctvusa.com

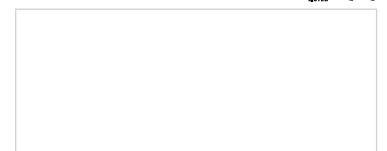
SAMSUNG TECHWIN EUROPE LTD.

Samsung House, 1000 Hillwood Drive, Hillwood Business Park
Chertsey, Surrey, UNITED KINGDOM KT16 0PS
Tel : +44-1932-45-5300 Fax : +44-1932-45-5325

TIANJIN SAMSUNG TECHWIN OPTO-ELECTRONICS CO., LTD.

No.11 Wei 6 Street, Micro-Electronic Industrial Park
Jingang Road, Tianjin, P.R. CHINA 300385
Tel : +86-22-23887788 Fax : +86-22-23887788

■ DISTRIBUTED BY



SAMSUNG

HD LED monitor designed for professional security applications



18.5" Wide HD LED Monitor

SMT-1930

The SMT-1930 features a 16:9 aspect ratio wide screen and supports up to 1360 x 768 resolution making ideal for displaying images captured from High Definition (HD) cameras. Designed specifically for use in professional security systems it possesses a dynamic contrast ratio of 1000:1, a 5ms response time and a HDMI/VGA input connection. The 18.5" SMT-1930 monitor is intended to provide security system operators with a high performance display solution.

- Support up to 1360 x 768 resolution
- High contrast ratio 1000 : 1
- 120Hz Motion technology
- Fast response time 5ms

18.5" Wide HD LED Monitor

SMT-1930

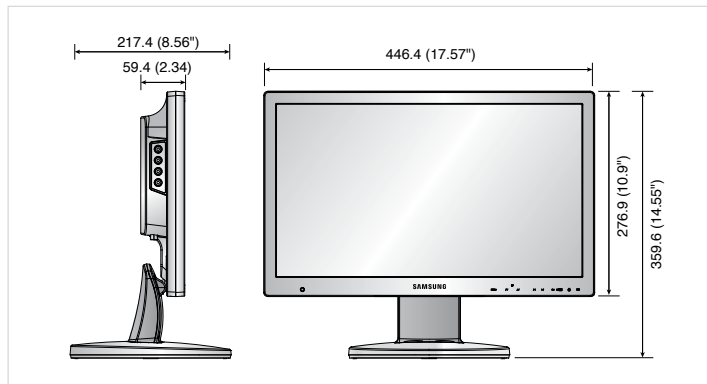


Specifications

SMT-1930		
DISPLAY		
Screen Size		18.5"
Max. Resolution		1,360 x 768
Brightness		250cd/m ²
Contrast Ratio		1,000 : 1
Aspect Ratio		16 : 9
Viewing Angle (H/V)		170° / 160°
Display Color		16.7million
Response Time		5ms
Video System		NTSC / PAL
Panel Life		50,000hours
Filter Type		3D combfilter
INTERFACE		
Video		
Connector		BNC types (2 in / 2 out)
Connector		1 Analogue RGB 15-pin D-sub
Input Signal		0.7 Vp-p ±5%
RGB / DVI		
Available Format		640 x 350@70Hz, 640 x 480@60Hz/67Hz/72Hz/75Hz 720 x 400@70Hz, 720 x 576@60Hz 800 x 600@60Hz/72Hz/75Hz, 832 x 624@75Hz 1,024 x 768@60Hz/70Hz/75Hz, 1,280 x 720@60Hz/70Hz/75Hz, 1,360 x 768@60Hz
HDMI		
Connector		1 HDMI input (Type A connector)
Available Format		640 x 480p@60Hz, 720 x 480i@60Hz, 720 x 480p@60Hz, 720 x 576i@50Hz 720 x 576p@50Hz, 1,280 x 720p@50Hz/60Hz
Audio		
Connector		2 RCA type (2 Stereo inputs)
Output Signal		Speakers : 2 x 1W
Application Support		
ON SCREEN DISPLAY		
Functions		
		VESA™ DPM compatible
Language		
		English, Spanish, French, German, Italian, Portuguese, Russian, Dutch, Danish, Swedish, Turkish, Chinese, Japanese, Thai, Korean, Arabic
GENERAL		
Electrical		
Input Voltage		100 ~ 240V AC (50/60Hz)
Power Consumption		Type 30W
Environmental		
Operating Temperature		0 ~ +40°C (+32°F ~ +104°F)
Operating Humidity		20% ~ 90% (Non-condensing)
Mechanical		
Dimensions with Stand (WxHxD)		446.4 x 359.6 x 217.4mm (17.57" x 14.55" x 8.56")
Dimensions without Stand (WxHxD)		446.4 x 276.9 x 59.4mm (17.57" x 10.9" x 2.34")
Weight		4.7Kg (10.36 lb)
LCD Protection Glass		Yes
Cabinet Color		Black
VESA Mounts Interface		100 x 100mm

Dimensions

Unit : mm (inch)



The Eco mark represents Samsung Techwin's will to create environment-friendly products, and indicates that the product satisfies the EU RoHS Directive.

Design and specifications are subject to change without notice.



SAMSUNG TECHWIN CO., LTD.

701, Sampyeong-dong, Bundang-gu, Seongnam-si, Gyeonggi-do Korea 463-400
Tel : +82-70-7147-8741~8749, 8752~8760 Fax : +82-31-8018-3745
www.samsungsecurity.com www.samsungcctv.com

SAMSUNG TECHWIN AMERICA INC.

100 Challenger Rd. Suite 700 Ridgefield Park, NJ 07660
Toll Free : +1-877-213-1222 Direct : +1-201-325-6920
Fax : +1-201-373-0124
www.samsungcctvusa.com

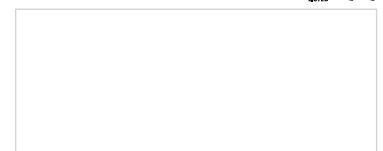
SAMSUNG TECHWIN EUROPE LTD.

Samsung House, 1000 Hillwood Drive, Hillwood Business Park
Chertsey, Surrey, UNITED KINGDOM KT16 0PS
Tel : +44-1932-45-5300 Fax : +44-1932-45-5325

TIANJIN SAMSUNG TECHWIN OPTO-ELECTRONICS CO., LTD.

No.11 Wei 6 Street, Micro-Electronic Industrial Park
Jingang Road, Tianjin, P.R. CHINA 300385
Tel : +86-22-23887788 Fax : +86-22-23887788

■ DISTRIBUTED BY



SAMSUNG

Completion of professional security 19" LED Monitor



19" LED Monitor

SMT-1914

- Supports up to 1280 x 1024 resolution, 4:3 display
- High contrast ratio 1000:1
- Fast response time 5ms
- Durable tempered glass screen

19" LED Monitor

SMT-1914

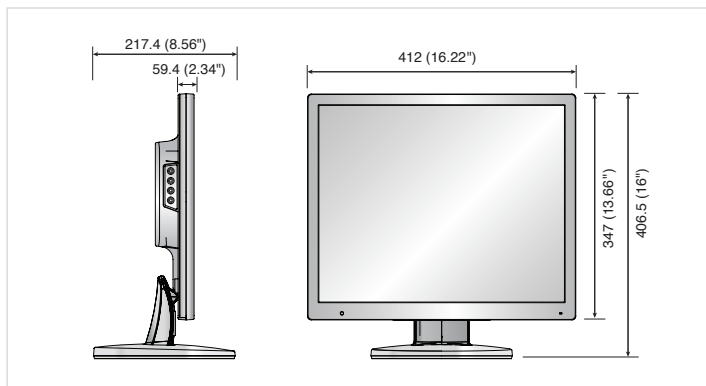


Specifications

SMT-1914		
Display		
Type	LED	
Screen Size	19"	
Brightness	250cd/m ²	
Max. Resolution	1,280 x 1024	
Contrast Ratio	1,000 : 1	
Aspect Ratio	4 : 3	
Viewing Angle (H/V)	170° / 160°	
Display Color	16.7million	
Response Time	5ms	
Panel Life	30,000 hours	
Interface		
RGB Connector	1 Analogue RGB 15-pin D-sub	
Input Signal	0.7 Vp-p ±5%	
On Screen Display		
Functions	VESA™ DPM compatible	
Language	English, Spanish, French, German, Italian, Portuguese, Russian, Swedish, Turkish, Taiwanese, Chinese, Japanese, Korean	
General		
Electrical	Input Voltage	AC 100 ~ 240V (50/60Hz)
	Power Consumption	Max. 35W
Environmental	Operating Temperature	0 ~ +40°C (+32°F ~ +104°F)
	Humidity	20% ~ 90% (Non-condensing)
Mechanical	Dimensions with Stand (WxHxD)	412 x 406.5 x 217.4 mm (16.22"x 16" x 8.56")
	Dimensions without Stand (WxHxD)	412 x 347 x 59.4 mm (16.22"x 13.66" x 2.34")
	Weight	5 kg (11.02lb)
	LCD Protection Glass	Yes
	Cabinet Color	Black
	VESA Mounts Interface	100 x 100mm

Dimensions

Unit : mm (inch)



The Eco mark represents Samsung Techwin's will to create environment-friendly products, and indicates that the product satisfies the EU RoHS Directive.

Design and specifications are subject to change without notice.



SAMSUNG TECHWIN CO., LTD.

701, Sampyeong-dong, Bundang-gu, Seongnam-si, Gyeonggi-do Korea 463-400
Tel : +82-70-7147-8741-8749, 8752-8760 Fax : +82-31-8018-3745
www.samsungsecurity.com www.samsungcctv.com

SAMSUNG TECHWIN AMERICA Inc.

100 Challenger Rd. Suite 700 Ridgely Park, NJ 07660
Toll Free : +1-877-213-1222 Direct : +1-201-325-6920
Fax : +1-201-373-0124
www.samsungcctvusa.com

SAMSUNG TECHWIN EUROPE LTD.

Samsung House, 1000 Hillswood Drive, Hillswood Business Park
Chertsey, Surrey, UNITED KINGDOM KT16 0PS
Tel : +44-1932-45-5300 Fax : +44-1932-45-5325

TIANJIN SAMSUNG TECHWIN OPTO-ELECTRONICS CO., LTD.

No.11 Wei 6 Street, Micro-Electronic Industrial Park
Jingang Road, Tianjin, P.R. CHINA 300385
Tel : +86-22-23887788 Fax : +86-22-23887788

■ DISTRIBUTED BY

