

Vidéo sécurité

Solution application Marine

Vidéo sécurité

Solution Coax

Ref: BF316C

Multi signal Coax

Camera BULLET

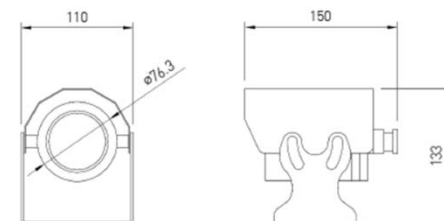
SUS 316L Electro polished Stainless Steel

Capteur 1/2,8" Sony CMOS
 FULL HD (1920x1080)
 Objectif 3,6 mm
 LED IR
 1000 Lignes
 IP67



POWER		
Power Source	DC12V±10%	
Power Consumption	Max. 4.5Watts(370mA)	
GENERAL		
Image Sensor	1/2.8" 2.4M Sony CMOS	
Total Pixels	2,000(H)x1,121(V)	
Active Pixels	1,920(H)x1,080(V)	
Scanning System	Progressive	
Sync. System	Internal	
Video Frame Rate	1920x1080p@25fps ; 1920x1080p@30fps	
CVBS Resolution	1000TVL	
Min. Illumination	1.0Lux(Color), 0Lux(BW, IR LED On)	
Video Output	BNC (AHD-High Definition Video Output/CVBS-Standard Definition Video Output)	
IR	IR LED	24EA IR LED(850nm)
	Distance	25M
S/N ratio	More Than 50dB(AGC Off)	
Camera Control	OSD(Joystick switch, Coaxial Communication)	

FUNCTION	
Auto Exposure	On
Electronic Shutter	Auto
White Balance	ATW(Auto)
Day & Night	Auto
DNR	2D/3D On
AGC	On
Gamma	Auto
CONNECTOR & ETC	
Power Input	DC Jack
Video Output	BNC Connector - AHD, CVBS
Transmission Distance	Over 500m Via 75-3 Coaxial Cable
Lens Mount	Fixed Mount
Lens	f=3.6mm F2.0 Fixed Lens, ICR(D&N)
Operating Temperature	-20~+50°C(14~122°F)
Operating Humidity	0~96%(Non-Condensing)
External Dimension	110(W)x133(H)x150(D)mm
Weight	Approx 1.64Kg
Ingress Protection	IP67



Unit : mm

Ref: BZ316C

Multi signal Coax

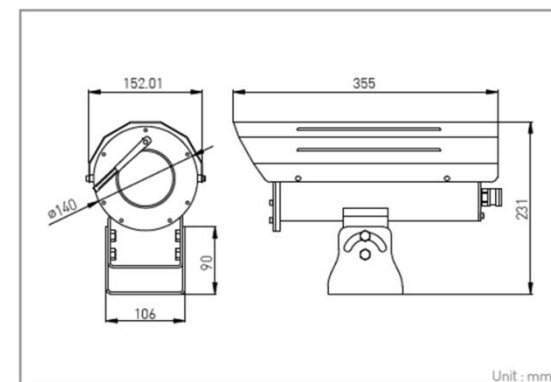
Camera BULLET

SUS 316L Electro polished Stainless Steel

*Capteur 1/2,8" Sony STARVIS CMOS
FULL HD (1920x1080)
Objectif Zoom 30x
LED IR
IP67*



IMAGE		VIDEO	
Lens	Optical Zoom 30X, 4.3-129mm	Resolution	HD-TVI : 1080p@25/30fps, 720p@50/60fps AHD : 1080p@25/30fps
Angle of View	65.1-2.23°[H]	Video Output	HD-TVI or AHD, CVBS
Image Sensor	Type	EXTERNAL IN/OUT	
	Pixels	Video TVI or AHD Output : BNC	
Min. Illumination	Color : 0.35Lux, BW : 0.013Lux 50IRE	Video Composite Output	BNC
Scanning Mode	Progressive Scan	Alarm	1 Input, 1 Output
Wide Dynamic Range	True WDR	Control	RS-485, Baud Rate : 2,400-38,400bps (Default : 9,600bps)
Day and Night Mode	True Day & Night	ID(Camera Address)	1-3999
Noise Reduction	2DNR, 3DNR	ETC	
Digital Zoom	16X	Operating Humidity	0-95% RH(Non-Condensing)
Exposure Control	Auto, Manual, Shutter Priority, Iris Priority	Operating Temperature	-40~+50°C
White Balance Control	Auto, Fluorescent, Incandescent, Outdoor, Manual	Power Supply	24VDC
Back Light Compensation	Yes	Power Consumption	25W@24VDC
Image Effect	Flip(Digital)	Dimension	152(W)x231(H) x 355mm (D)
Flicker Free Mode	50Hz, 60Hz	Net Weight	Approx. 5.6kg
Shutter Speed	25/30fps : Auto(1/30,000-x8 sec.), Manual 50/60fps : Auto(1/50,000-x8 sec.), Manual	Ingress Protection	IP67
Defog	Yes		



Ref: PTZ316C20

Multi signal Coax

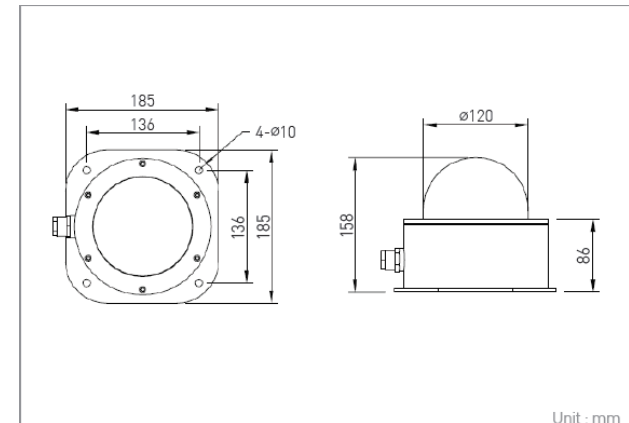
SUS 316L Electro polished Stainless Steel

Camera PTZ

Capteur 1/2,8" Sony STARVIS CMOS
 FULL HD (1920x1080)
 Objectif Zoom 20x
 Tourelle 360°
 IP67



IMAGE		PTZ FUNCTION	
Lens	Optical Zoom 20X, 4.7-94mm	Pan Range	360°Endless
Angle of View	55.5-3°[H]	Pan Speed	Max. 380°/sec.[Preset]
Image Sensor	Type 1/2.8"SONY STARVIS CMOS Sensor	Tilt Range	0-180°
	Pixels 1,945[H]x1,109[V]	Tilt Speed	Max. 380°/sec.[Preset]
Min. Illumination	Color : 0.35Lux, BW : 0.013Lux 50IRE	Auto Calibration	0.1-6°
Scanning Mode	Progressive Scan	Preset	240
Wide Dynamic Range	True WDR	Tour / Pattern	8 / 8
Day and Night Mode	True Day & Night	Home Function	Yes
Noise Reduction	2DNR, 3DNR	Privacy Mask Zone	8 Programmable Zones
Digital Zoom	16X	EXTERNAL IN/OUT	
Exposure Control	Auto, Manual, Shutter Priority, Iris Priority	Video TVI or AHD Output	BNC
White Balance Control	Auto, Fluorescent, Incandescent, Outdoor, Manual	Video Composite Output	BNC
Back Light Compensation	Yes	Alarm	4 Input, 2 Output(Terminal Block)
Image Effect	Flip(Digital)	Control	RS-485, Baud Rate : 2,400-38,400bps(Default : 9,600bps)
Flicker Free Mode	50Hz, 60Hz	ID(Camera Adress)	1~3999
Shutter Speed	25/30fps : Auto(1/30,000~x8 sec.), Manual 50/60fps : Auto(1/50,000~x8 sec.), Manual	ETC	
Defog	Yes	Operating Humidity	0-95% RH(Non-Condensing)
VIDEO		Operating Temperature	-30~+50°C
Resolution	HD-TVI : 1080p@25/30fps, 720p@50/60fps AHD : 1080p@25/30fps	Power Supply	24VAC
Video Output	HD-TVI or AHD, CVBS	Power Consumption	1.5A(22W@24VAC)
		Dimension	185(W)x158(H) x 185mm (D)
		Net Weight	Approx. 4.25kg
		Ingress Protection	IP67



Unit : mm

Ref: PTZ316C30

Multi signal Coax

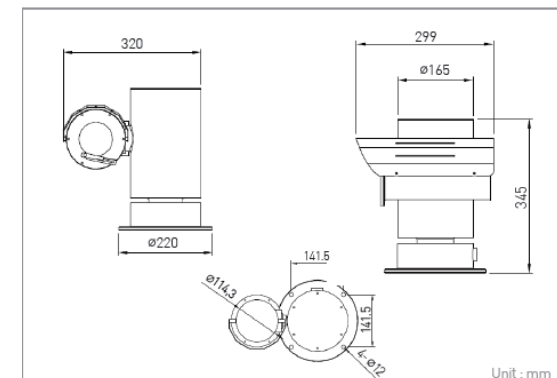
SUS 316L Electro polished Stainless Steel

Camera PTZ

Capteur 1/2,8" Sony STARVIS CMOS
 FULL HD (1920x1080)
 Objectif Zoom 30x
 Tourelle 360°
 LED IR
 IP67



IMAGE		PTZ FUNCTION	
Lens	Optical Zoom 30X, 4.3-129mm	Pan Range	360° Endless
Angle of View	65.1~2.23°[H]	Pan Speed	Min 0.7 °/sec ~ Max. 50°/sec.
Image Sensor	Type 1/2.8"SONY STARVIS CMOS Sensor	Tilt Range	0 ~ 180°
	Pixels 1,945[H]x1,109[V]	Tilt Speed	Min 0.6 °/sec ~ Max. 60°/sec.
Min. Illumination	Color : 0.35Lux, BW : 0.013Lux 50IRE	Auto Calibration	0.1 ~ 6°
Scanning Mode	Progressive Scan	Preset	69
Wide Dynamic Range	True WDR	Home Function	Yes
Day and Night Mode	True Day & Night	EXTERNAL IN / OUT	
Noise Reduction	2DNR, 3DNR	Video TVI or AHD Output	BNC
Digital Zoom	16X	Video Composite Output	BNC
Exposure Control	Auto, Manual, Shutter Priority, Iris Priority	Alarm	1 Input, 2 Output
White Balance Control	Auto, Fluorescent, Incandescent, Outdoor, Manual	Control	RS-485, Baud Rate : 2,400-38,400bps(Default : 9,600bps)
Back Light Compensation	Yes	ID(Camera Adress)	1~3999
Image Effect	Flip(Digital)	ETC	
Flicker Free Mode	50Hz, 60Hz	Operating Humidity	0-95% RH(Non-Condensing)
Shutter Speed	25 / 30fps : Auto(1/30,000~x8 sec.), Manual 50 / 60fps : Auto(1/50,000~x8 sec.), Manual	Operating Temperature	-40 ~ +50°C
Defog	Yes	Power Supply	24VAC
VIDEO		Power Consumption	50W@24VAC
Resolution	HD-TVI : 1080p@25 / 30fps, 720p@50 / 60fps AHD : 1080p@25 / 30fps	Dimension	320(W)x345(H)x299(D)mm
Video Output	HD-TVI or AHD, CVBS	Net Weight	Approx. 18kg
		Ingress Protection	IP67



Vidéo sécurité

Solution IP

Ref: BF316IP

Réseau

Camera BULLET

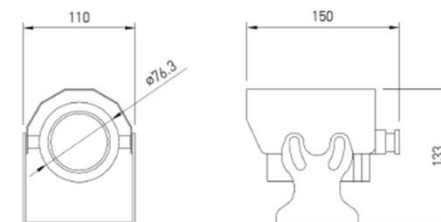
SUS 316L Electro polished Stainless Steel



Capteur 1/2,8" Sony STARVIS CMOS
 FULL HD (1920x1080)
 Objectif 3,7 mm
 24 LED IR
 IP67
 Onvif



IMAGE		Video Contents Analysis	Tampering, Line Detector, Field Detector
Lens	Fixed 3.7mm, F2.5	Motion Detection Area	16 Programmable Area(Include Area 8, Exclude Area 8)
Angle of View	90°[H]	Privacy Mask Zone	8 Programmable Zone
Image Sensor	Type	1/2.8" SONY STARVIS CMOS Sensor	Event Notification
	Pixels	2048(H)x1553(V)	E-mail, FTP, Notification Server, XML Notification, AIHM
Min. Illumination	Color : 0.2Lux / BW : 0Lux@F2.5, 50IRE	Audio Alert	User-Defined 3 Audio Files
Scanning Mode	Progressive Scan	Login Authority	Administrator, Operator, Guest
Wide Dynamic Range	D-WDR(ATR-EX)	Manual Trigger	4 Programmable Trigger
Day and Night Mode	True D/N(Auto, Day, Night)	Security	Multi User Authority, IP Filtering, HTTPS, SSL
Noise Reduction	3DNR	Network Time Sync	NTP Server, Synchronized Computer, Manual
Digital Zoom	16X	Software Reset	Restart, Reset, Factory Default
Exposure Control	Auto	Hardware Factory Reset	Yes
White Balance Control	Auto, Incandescent, Fluorescent, Outdoor	Auto Recovery	Backup, Restore
Back Light Compensation	Yes	Remote Upgrade	Web Browsing(IE, Chrome, Safari, Firefox), SmartManager
Image Effect	Flip, Mirror, Aisle, Defog, HLC, S-LDC	NETWORK	
Flicker Free Mode	50Hz, 60Hz	Protocol	TCP/IP, UDP, IPv4/v6, HTTP, HTTPS, QoS, FTP, UPnP, RTP, RTSP, RTCP, DHCP, ARP, Zeroconf, Bonjour
Shutter Speed	Auto(1/10,000-1sec), Manual	Client Software	Web, SmartManager, Client S/W, Mobile S/W
IR Illuminator	Quantity	Max. User Connection	Live : 10 Users, Playback : 3 Users
	Angle	API Support	Open API, Onvif Compliance
	Distance	Mobile Support	Android, iOS
Motorized Lens Control	-	EXTERNAL IN/OUT	
VIDEO/AUDIO		Video Composite Out	-
Compression	H.264(Baseline, Main, High Profile), MJPEG	Audio / Alarm	1 Input, 1 Output(Terminal Block)
Bitrate Control	CVBR, VBR	Ethernet	RJ-45(10/100Base-T)
Resolution	2048x1536, 1920x1080, 1280x720/1024, 704x480/576, 640x480, 352x240/288, 320x240	ETC	
Frame Rate	Max. 25/30fps@3MP	Operating Humidity	0-90%RH(Non-Condensing)
Streaming	25/30fps@Triple Stream : H.264x2, MJPEGx1	Operating Temperature	-20~+50°C
Composite Out	-	Power Supply	PoE(IEEE802.3af Compliance, Class0), 12VDC
Audio Compression	G.711	Power Consumption	5.7W@12VDC
Audio Streaming	2 Way	Dimension	76.2(Ø)x85.2(H)x181(D)mm
SYSTEM		Net Weight	Approx. 1.64g
		Ingress Protection	IP67



Unit : mm

Ref: BZ316IP

Réseau

Camera BULLET

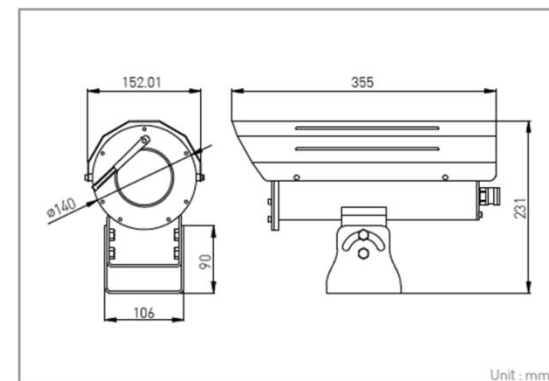
SUS 316L Electro polished Stainless Steel

Capteur 1/2,8" Sony STARVIS CMOS
 FULL HD (1920x1080)
 Objectif Zoom 30x, tourelle 360°
 LED IR
 IP67
 H264
 Onvif



IMAGE	
Lens	Optical Zoom 30X, 4.3-129mm
Angle of View	65.1-2.23°[H]
Image Sensor	Type 1/2.8" SONY STARVIS CMOS Sensor
	Pixels 1945[H]x1097[V]
Min. Illumination	Color : 0.35Lux, BW : 0.013Lux, 50IRE
Scanning Mode	Progressive Scan
Wide Dynamic Range	True WDR(120dB)
Day and Night Mode	True Day & Night(Auto, Day, Night)
Noise Reduction	3DNR
Digital Zoom	16X
Exposure Control	Auto, Manual, Shutter Priority, Iris Priority
White Balance Control	Auto, Fluorescent, Incandescent, Outdoor, Manual
Back Light Compensation	Yes
Image Effect	Flu(Digital)
Shutter Speed	25/30fps : Auto(1/30,000-x8sec), Manual
	50/60fps : Auto(1/50,000-x8sec), Manual
IR Illuminator	Quantity 43 IR LEDs
	Angle 78°[H]
	Distance Up to 40m
AUTO FOCUS	
Focus System	Auto, One Push, Manual
Min. Working Distance	100mm(Wide End), 1000mm(Tele End)
VIDEO/AUDIO	
Compression	H.264(Baseline, Main, High Profile), MJPEG
Bitrate Control	CVBR, VBR
Resolution	1920x1080, 1280x1024, 1280x720/960, 1024x768, 704x480/576, 640x360/480, 320x240
Frame Rate	Max. 50/60fps
Streaming	50/60fps(Dual Stream : H.264x1, MJPEGx1)
	25/30fps(Triple Stream : H.264x2, MJPEGx1)
Audio Compression	G.711
Audio Streaming	2 Way
SYSTEM	

Video Contents Analysis	DIS, Defog, Face Detection, Tampering, Line Detector, Field Detector
Motion Detection Area	16 Programmable Area(Include Area 8, Exclude Area 8)
Event Notification	E-mail, FTP, Notification Server, XML Notification, Audio Alert, AIHM
Audio Alert	User-Defined 3 Audio Files
Login Authority	Administrator, Operator, Guest
Manual Trigger	4 Programmable Trigger
Security	Multi User Authority, IP Filtering, HTTPS, SSL
Network Time Sync	NTP Server, Synchronized Computer, Manual
Software Reset	Restart, Reset, Factory Default
Hardware Factory Reset	Yes
Auto Recovery	Backup, Restore
Remote Upgrade	Web Browsing(IE, Chrome, Safari, Firefox), SmartManager, NC-Titanium
SD Recording Mode	Event, Continuous
NETWORK	
Protocol	TCP/IP, UDP, IPv4/v6, HTTP, HTTPS, QoS, FTP, UPnP, RTP, RTSP, RTCP, DHCP, ARP, Zeroconf, Bonjour
Client Software	Web, SmartManager, NC-Titanium, Tive HD
Max. User Connection	Live : 10 Users, Playback : 3 Users
API Support	Open API, Onvif Compliance
Mobile Support	Tive HD(Android, iOS)
EXTERNAL IN/OUT	
Audio / Alarm	1 Input, 1 Output(Terminal Block)
Ethernet	RJ-45(10/100Base-T)
ETC	
Operating Humidity	0-95% RH(Non-Condensing)
Operating Temperature	-40~+60°C
Power Supply	24VDC
Power Consumption	25W@24VDC
Dimension	152[W]x231[H]x355[D]mm
Net Weight	Approx. 5.6kg
Ingress Protection	IP67



Ref:PTZ316IP20

Réseau

Camera PTZ

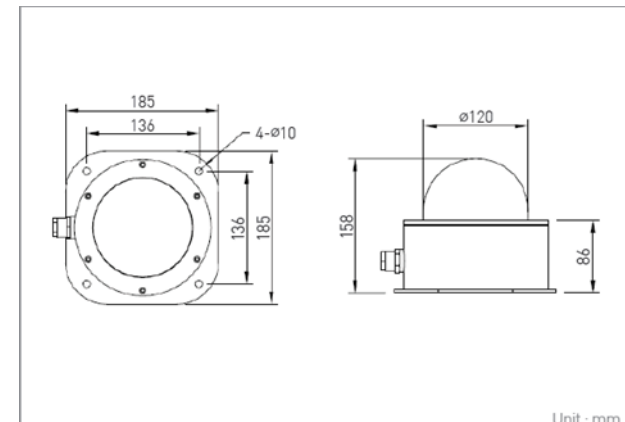
SUS 316L Electro polished Stainless Steel

Capteur 1/2,8" Sony STARVIS CMOS
 FULL HD (1920x1080)
 Objectif Zoom 20x
 Tourelle 360°
 IP67
 H264
 Onvif



IMAGE	
Lens	Optical Zoom 20X, 4.7-94mm
Angle of View	55.5-3°(H)
Image Sensor	Type 1/2.8" SONY STARVIS CMOS Sensor
	Pixels 1945(H)x1097(V)
Min. Illumination	Color : 0.35Lux, BW : 0.013Lux@50IRE
Scanning Mode	Progressive Scan
Wide Dynamic Range	True WDR(120dB)
Day and Night Mode	True Day & Night
Noise Reduction	3DNR
Digital Zoom	16X
Exposure Control	Auto, Manual, Shutter Priority, Iris Priority
White Balance Control	Auto, Fluorescent, Incandescent, Outdoor, Manual
Back Light Compensation	Yes
Image Effect	Flip
Shutter Speed	25/30fps : Auto(1/30,000-x8sec), Manual 50/60fps : Auto(1/50,000-x8sec), Manual
VIDEO/AUDIO	
Compression	H.264(Baseline, Main, High Profile), MJPEG
Bitrate Control	CVBR, VBR
Resolution	1920x1080, 1280x1024, 1280x720/960, 704x480/576, 640x360/480, 320x240
Frame Rate	Max. 50/60fps
Streaming	50/60fps(Dual Stream : H.264x1, MJPEGx1) 25/30fps(Triple Stream : H.264x2, MJPEGx1)
Audio Compression	G.711
Audio Streaming	2Way
PTZ FUNCTION	
Pan Range / Pan Speed	360°Endless / Max. 380°/sec.(Preset)
Tilt Range / Tilt Speed	-10-190° / Max. 380°/sec.(Preset)
Auto Calibration / Preset	0.1-6° / 256
Tour / Pattern	8
Home Function	Yes
SYSTEM	

Video Contents Analysis	DIS, Defog, Face Detector, Tampering, Line Detector, Field Detector
Motion Detection Area	16 Programmable Area(Include Area 8, Exclude Area 8)
Privacy Masking	16 Programmable Zone
Event Notification	E-mail, FTP, Notification Server, XML Notification, Audio Alert, AIHM
Audio Alert	User-Defined 3 Audio Files
Login Authority	Administrator, Operator, Guest
Security	Multi User Authority, IP Filtering, HTTPS, SSL
Network Time Sync	NTP Server, Synchronized Computer, Manual
Software Reset	Restart, Reset, Factory Default
Hardware Factory Reset	Yes
Auto Recovery	Backup, Restore
Remote Upgrade	Web Browsing(IE, Chrome, Safari, Firefox), SmartManager, NC-Titanium
NETWORK	
Protocol	TCP/IP, UDP, IPv4/v6, HTTP, HTTPS, QoS, FTP, UPnP, RTP, RTSP, RTCP, DHCP, ARP, Zeroconf, Bonjour
Client Software	Web, SmartManager, NC-Titanium, Tve HD
Max. User Connection	Live : 10 Users, Playback : 3 Users
API Support	Open API, Onvif Compliance
Mobile Support	Tve HD(Android, iOS)
EXTERNAL IN/OUT	
Audio	1 Input, 1 Output(3.5mm Stereo Jack)
Alarm	4 Input, 1 Output
Ethernet	RJ-45(10/100Base-T)
ETC	
Operating Humidity	0-90% RH(Non-Condensing)
Operating Temperature	-30~50°C
Power Supply	24VAC
Power Consumption	1,500mA(22W)@24VAC
Dimension	185(W)x158(H)x185(D)mm
Net Weight	Approx. 4.25kg
Ingress Protection	IP67



Ref:PTZ316IP30

Réseau

Camera PTZ

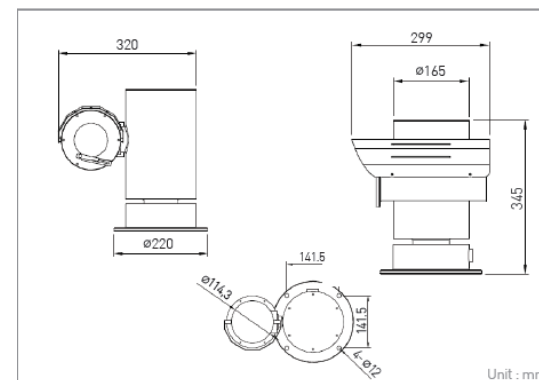
SUS 316L Electro polished Stainless Steel

Capteur 1/2,8" Sony STARVIS CMOS
 FULL HD (1920x1080)
 Objectif Zoom 30x
 Tourelle 360°
 LED IR
 IP67
 H264
 Onvif



IMAGE	
Lens	Optical Zoom 30X, 4.3-129mm
Angle of View	65.1-2.23°(H)
Image Sensor	Type
	Pixels
Min. Illumination	Color : 0.35Lux / BW : 0.013Lux@50IRE, 0Lux(IR LED On)
Scanning Mode	Progressive Scan
Wide Dynamic Range	True WDR(120dB)
Day and Night Mode	True Day & Night
Noise Reduction	3DNR
Digital Zoom	16X
Exposure Control	Auto, Manual, Shutter Priority, Iris Priority
White Balance Control	Auto, Fluorescent, Incandescent, Outdoor, Manual
Back Light Compensation	Yes
Image Effect	Flip
Shutter Speed	25/30fps : Auto(1/30,000-x8sec), Manual
	50/60fps : Auto(1/50,000-x8sec), Manual
IR Illuminator	Quantity
	Angle
	Distance
VIDEO/AUDIO	
Compression	H.264(Baseline, Main, High Profile), MJPEG
Bitrate Control	CVBR, VBR
Resolution	1920x1080, 1280x1024, 1280x720/960, 704x480/576, 640x360/480, 320x240
Frame Rate	Max. 50/60fps
Streaming	50/60fps(Dual Stream : H.264x1, MJPEGx1)
	25/30fps(Triple Stream : H.264x2, MJPEGx1)
Audio Compression	G.711
Audio Streaming	2 Way
PTZ FUNCTION	
Pan Range / Pan Speed	360° / Min 0.7 °/sec ~ Max. 50°/sec.
Tilt Range / Tilt Speed	+/-90° / Min 0.6 °/sec ~ Max. 60°/sec.
Preset / Home Function	69 / Yes

SYSTEM	
Motion Detection Area	16 Programmable Area(Include Area 8, Exclude Area 8)
Privacy Masking	16 Programmable Zone
Event Notification	E-mail, FTP, Notification Server, XML Notification, Audio Alert, AIHM
Audio Alert	User-Defined 3 Audio Files
Login Authority	Administrator, Operator, Guest
Manual Trigger	4 Programmable Trigger
Security	Multi User Authority, IP Filtering, HTTPS, SSL
Network Time Sync	NTP Server, Synchronized Computer, Manual
Software Reset	Restart, Reset, Factory Default
Hardware Factory Reset	Yes
Auto Recovery	Backup, Restore
Remote Upgrade	Web Browsing(IE, Chrome, Safari, Firefox), SmartManager, NC-Titanium
NETWORK	
Protocol	TCP/IP, UDP, IPv4/v6, HTTP, HTTPS, QoS, FTP, UPnP, RTP, RTSP, RTCP, DHCP, ARP, Zeroconf, Bonjour
Client Software	Web, SmartManager, NC-Titanium, Tve HD
Max. User Connection	Live : 10 Users, Playback : 3 Users
API Support	Open API, Onvif Compliance
Mobile Support	Tve HD(Android, iOS)
EXTERNAL IN/OUT	
Audio	1 Input, 1 Output(RCA Mono Jack)
Alarm	1 Input, 1 Output
Ethernet	RJ-45(10/100Base-T)
ETC	
Operating Humidity	0-95% RH(Non-Condensing)
Operating Temperature	-40~+60°C
Power Supply	24VDC
Power Consumption	50W@24VDC
Dimension	320(W)x345(H)x299(D)mm
Net Weight	Approx. 18kg
Ingress Protection	IP67



Boîtes de connexion pour caméra de vidéosurveillance Série IQbox

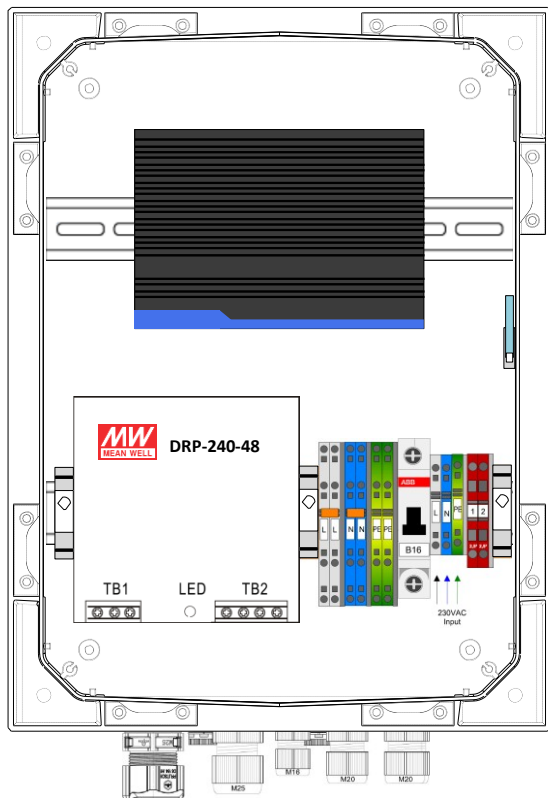
polycarbonate résistant aux rayons UV

Ignifuge UL94 V-0 5VA

-40 ° C à + 80 ° C

IP66 IK10

Montage mural / poteau



A VERIFIER ET DEVELOPPER



Ref: NXM

Caisson pour caméra pour environnements agressifs

acier Inox brillant AISI 316L

Corps cylindrique fermé par flasques de 6mm
d'épaisseur

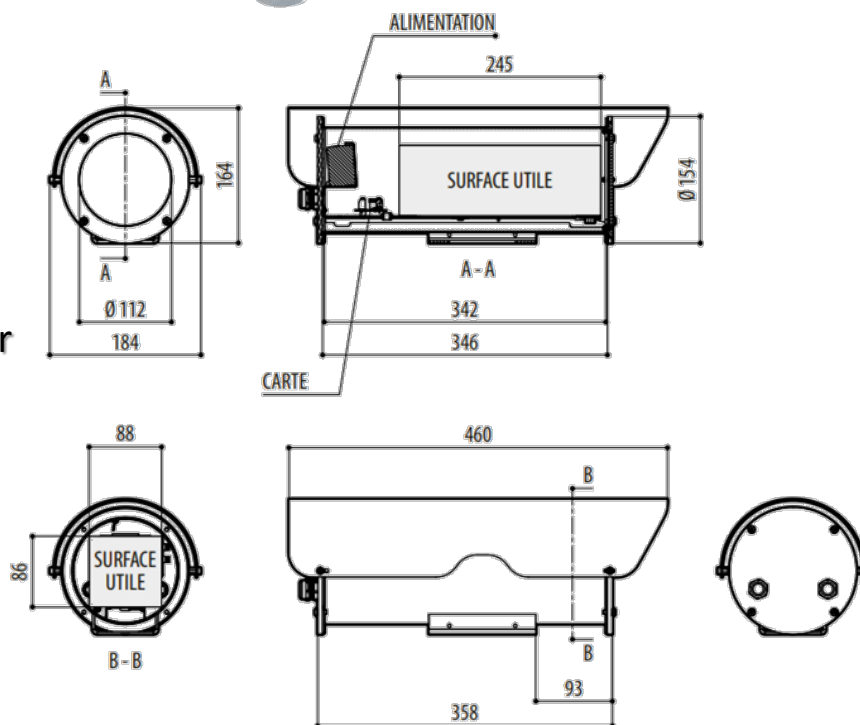
2 presse-étoupes PG13.5 en laiton nickelé

IP66/IP67/IP68/IP69

Certification marine: Lloyd's Register Marine Type
Approval



Le caisson NXM36 est conçu pour les installations dans des lieux hautement corrosifs comme les sites industriels chimiques, pétrochimiques, marins, navals et des plates-formes offshore; entièrement réalisé en acier AISI 316L passivé et électro-poli pour une très grande protection contre la détérioration.



Ref: EXH/EXPT

Caisson environnement antidéflagrant

CERTIFICATIONS

Sécurité électrique (CE): EN62368-1

Compatibilité électromagnétique (CE): EN601000-6-3, EN61000-3-2, EN61000-3-3, EN50130-4, EN55032 (Classe B)

RoHS (CE): EN50581

Installation à l'extérieur (CE): EN60950-22, ICE60950-22

Degré de protection IP (EN/IEC60529): IP66

CERTIFICATIONS - APPLICATIONS ANTI-DÉFLAGRATIONS

ATEX (EN 60079-0+A11, EN 60079-1, EN 60079-31)

IECEX (IEC 60079-0, IEC 60079-1, IEC 60079-31)

EAC EX (TR CU 012/2011)

KCs (Employment and labor department 2016-54)



CERTIFICATIONS

Sécurité électrique (CE): EN60065

Compatibilité électromagnétique (CE): EN601000-6-3, EN61000-3-2, EN61000-3-3, EN50130-4, EN55032 (Classe B)

RoHS (CE): EN50581

Degré de protection IP (EN/IEC60529): IP66

CERTIFICATIONS - APPLICATIONS ANTI-DÉFLAGRATIONS

ATEX (EN 60079-0+A11, EN 60079-1, EN 60079-31)

IECEX (IEC 60079-0, IEC 60079-1, IEC 60079-31)

EAC EX (TR CU 012/2011)

KCs (Employment and labor department 2016-54)