

# Network Camera

## VB-H41 and VB-H41B

you can

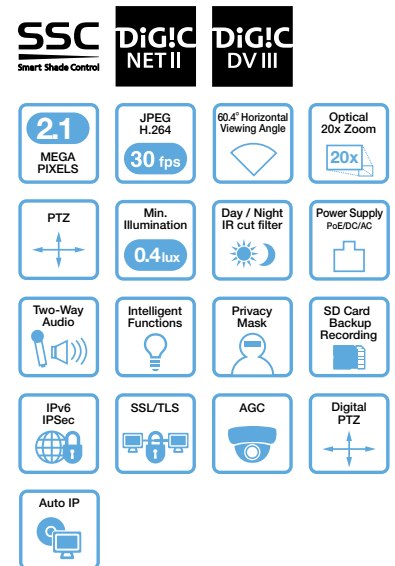


### Intelligent Full-HD PTZ network camera for high-end security and monitoring applications.

The VB-H41 Full-HD PTZ camera combines a staggering total of 240x zoom, low-light capability and fast auto-focus. Flexible installation options for indoor and outdoor use.

#### Key features

- Two colour options: Silver (VB-H41) and Black (VB-H41B)
- Full-HD PTZ camera
- Superior image quality using Canon DIGIC DV III
- Powerful 20x optical zoom lens with 12x digital zoom and fast autofocus (60.4° wide angle at wide end)
- Canon DIGIC NET II supports Motion JPEG and H.264 video (up to 30 fps)
- Best-in-class low-light performance: colour at 0.4 lux and B/W at 0.02 lux
- Smart Shade Control (SSC) improves foreground objects in bright backlit scenes
- True Day/Night and two-way audio (supports playback of saved audio files from camera)
- Intelligent Functions and ONVIF V2.2 (Profile S) compliant



Canon

# VB-H41/B

## Specifications

IMAGE SENSOR	
Type	1/3 inch CMOS with primary colour filter
Number of Pixels	Approx. 2.1 million pixels
Scanning System	Progressive
OPTICS	
Zoom Magnification and Control	20x powered zoom lens with auto focus (12x digital zoom, delivering total of 240x zoom)
Focal Length	4.7mm (wide) – 94mm (telephoto)
Horizontal Field of View	60.4° (wide) – 3.2° (telephoto)
Lens F-Number	F1.6 – F3.5
Minimum Subject Illumination	Day Mode: 0.4 lux (Colour, F1.6 at 1/30 sec, SSC off, 50IRE) <sup>1</sup> Night Mode: 0.02 lux (Mono, F1.6 at 1/30 sec, SSC off, 50IRE) <sup>1</sup> Auto / One-shot AF / Manual / Fixed at infinity
Focus Control	Day Mode: 0.3 m – infinity (wide) / 1.0 m – infinity (telephoto)
Focusing Region	Night Mode: 1.0 m – infinity (wide) / 1.5 m – infinity (telephoto)
Shutter Speed	1, 1/2, 1/4, 1/8, 1/15, 1/30, 1/60, 1/100, 1/120, 1/250, 1/500, 1/1000, 1/2000, 1/4000, 1/8000 and 1/16000sec
White Balance	Auto / One-shot / Preset / Manual
Imaging Modes	Day Mode, Night Mode (Auto / Manual / Scheduled)
Metering Modes	3 options: Centre-weighted / Average / Spot Metering
Exposure	Auto/Auto (Flickerless)/Auto (Shutter-priority AE)/Manual (Shutter Speed, Aperture, Gain)
Exposure Compensation	9 levels
Shade Correction	Canon Smart Shade Control (SSC) with 7 levels
AGC Limit	5 levels
Image Stabilizer	Electronic (ON1 / ON2 / OFF)
SERVER UNIT	
Video Compression Method	H.264, JPEG
Video Output Size	JPEG: 1920 x 1080, 960 x 540, 480 x 270, 320 x 240 H.264: 1920 x 1080, 960 x 540, 480 x 270
Frame Rate	JPEG: 30 - 0.1 fps <sup>2</sup> H.264: 30/15/10/6/5/3/2/1 fps <sup>2</sup>
I-Frame Interval	0.5/1/1.5/2/3/4/5 sec.
Simultaneous Distribution	JPEG: Max. 30 Clients + 1 Admin Client H.264: Max. 10 Clients
Audio Communication	Full-duplex
Audio Compression Method	G.711 µ-law (64 kbps)
Supported Protocols	IPv4: TCP/IP, UDP, HTTP, FTP, SNMP (MIB2), SMTP (Client), DHCP (Client), DNS (Client), ARP, ICMP, POP3, NTP, SMTP authentication, RTSP, WV-HTTP (Canon), ONVIF IPv6: TCP/IP, UDP, HTTP, FTP, SMTP (Client), DNS (Client), ICMPv6, POP3, NTP, SMTP authentication, RTSP, WV-HTTP (Canon), ONVIF
AutoIP	Supported
Encrypted Communications	SSL/TLS, IPsec (Auto Key Exchange/Manual)

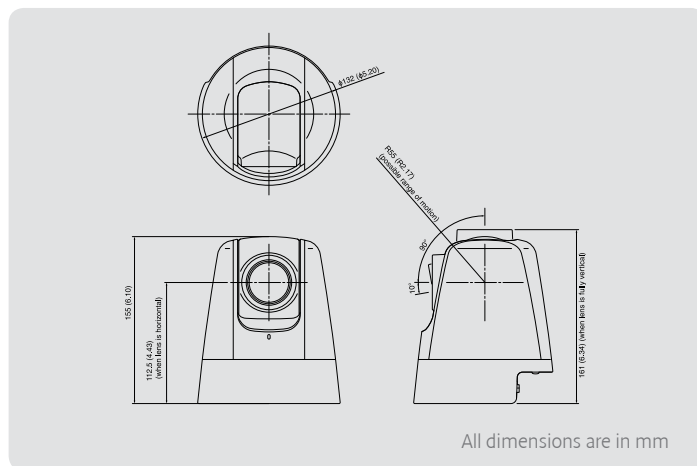
Privacy Mask	Max. 8 masks. Number of mask colours: 1 (select from 9 colours)
Camera Access Control	User name and password / Host Access Restriction (IPv4, IPv6)
Camera Access Levels	3 user levels: Administrator / Authorized User / Guest User
Event Notification	HTTP/SMTP (e-mail)
EMBEDDED ANALYTICS	
Video Content Analytics	Moving Object Detection, Abandoned Object Detection, Removed Object Detection, Camera Tampering Detection and Passing Detection (Max of 15 detections per camera)
Audio	Volume Detection
CONNECTORS	
Network Interface	RJ-45, 100Base-TX (Auto / Full duplex / Half duplex)
Audio Input (Mic In / Line In)	3.5mm mono mini-jack
Audio Output (Line Out)	3.5mm mono mini-jack
External Device I/O Terminals	2 x Inputs / 2 x Outputs
Memory Card	SD, SDHC and SDXC Memory Card Compatible.
MECHANISMS	
Pan Angle Range	340° (±170°)
Tilt Angle Range	100° (Ceiling-mounted position: -90° to 10°)
Maximum Rotation Speed	Pan: Max. 150°/sec, Tilt: Max. 150°/sec
Infrared Cut Filter	Power-driven insertion and removal (Day / Night Modes)
Preset Positions	20 presets (Preset tour capable)
RATINGS	
Dimensions (W x H x D)	132mm x 155mm x 132mm
Weight	Approx. 1140 g
Power Sources	Power over Ethernet (48V DC, Conforms to IEEE 802.3af) 100V – 240V AC, 50/60Hz (via optional AC Adaptor PA-V17) 12V DC or 24V AC (via supplied two-pin connector)
Power Consumption	PoE: Max. approx. 9.0 W / AC adapter PA-V17: Max. approx. 10.6 W / DC Input: Max. approx. 8.6 W / AC Input: Max. approx. 8.8 W
Operating Environment	Temperature: -10°C to 50°C, Humidity: 5% – 85% RH (without condensation)
WHAT'S IN THE BOX	
	Main unit, CD-ROM, Power connector, Installation guide

<sup>1</sup> Use of the optional smoked indoor dome housing increases minimum subject illumination.

<sup>2</sup> The frame rate may be reduced due to Viewer PC's specs, the number of clients accessing at the same time, network loads, image quality setting, type or movement of the subject or other reasons.

All data is based on Canon's standard testing methods. This Leaflet and the specifications of the product have been developed prior to the date of product launch. Specifications are subject to change without notice.  
\*and ©: All company and/or product names are trademarks and/or registered trademarks of their respective manufacturers in their markets and/or countries.

## Dimensions



## Connectivity



## Optional Accessories

AC Power Supply PA-V17 (Europe)  
AC Power Supply PA-V17 (Great Britain)  
Indoor Dome Housing Clear DR40-C-VB  
Indoor Dome Housing Smoked DR40-S-VB  
Ceiling Mount Cover Black SS40-B-VB  
Ceiling Mount Cover Silver SS40-S-VB  
Video Recording Software RM-9  
Video Recording Software RM-25  
Video Recording Software RM-64



Indoor Clear & Tinted Recessed Dome



Outdoor Clear & Tinted Dome with and without Sunshield (variety of colour options)



Indoor and Under Canopy Clear & Tinted Dome and Vandal Resistant Dome

For more detailed accessory information please refer to the accessory sales sheet.

Canon Inc.  
canon.com

Canon Europe  
canon-europe.com

English Edition  
© Canon Europa N.V., 2012