

Network Camera

VB-H610D

you can

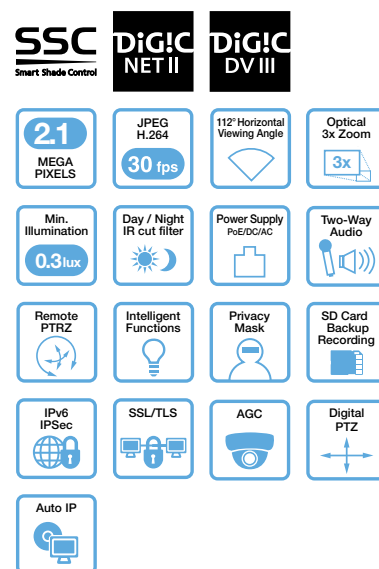


Intelligent Full-HD fixed dome network camera for high-end security and monitoring applications.

The VB-H610D Full-HD fixed dome camera with an ultra-wide 112° field of view, superior low-light performance. Ideal for indoor use, monitor and record 24 hours a day.

Key features

- Full-HD fixed dome camera
- Superior image quality using Canon DIGIC DV III
- 3x optical zoom lens with ultra-wide 112° field of view
- Canon DIGIC NET II supports Motion JPEG and H.264 video (up to 30 fps)
- Best-in-class low-light performance: colour at 0.3 lux and B/W at 0.015 lux
- Smart Shade Control (SSC) improves foreground objects in bright backlit scenes
- Remote Pan/Tilt/Rotate/Zoom (PTRZ) function reduces installation time
- True Day/Night and two-way audio (supports playback of saved audio files from camera)
- Intelligent Functions and ONVIF V2.2 (Profile S) compliant



Canon

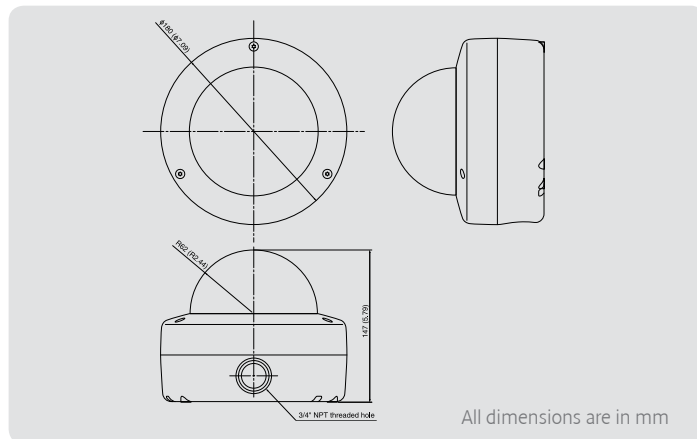
VB-H610D

Specifications

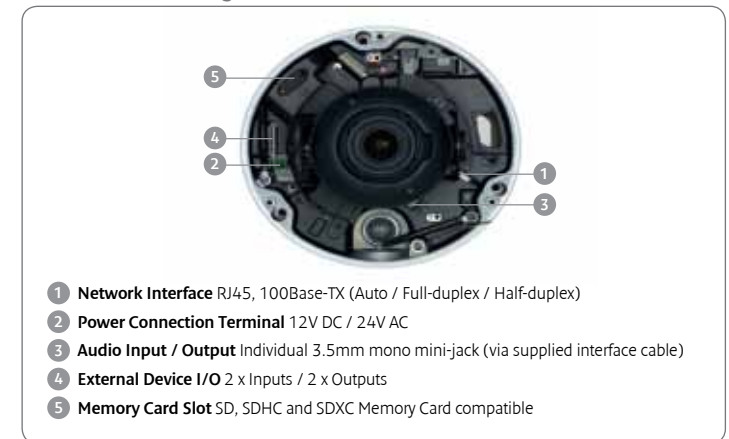
IMAGE SENSOR	
Type	1/3 inch CMOS with primary colour filter
Number of Pixels	Approx. 2.1 million pixels
Scanning System	Progressive
OPTICS	
Zoom Magnification and Control	3x powered zoom lens with Auto Focus
Focal Length	2.8mm (wide) – 8.4mm (telephoto)
Horizontal Field of View	112° (wide) – 33.7° (telephoto)
Lens F-Number	F1.2 – F2.0
Minimum Subject Illumination	Day Mode: 0.3 lux (Colour, F1.2 at 1/30 sec, SSC off, 50IRE) Night Mode: 0.015 lux (Mono, F1.2 at 1/30 sec, SSC off, 50IRE)
Focus Control	One-shot/AF / Manual / Fixed at infinity
Focusing Region	Day Mode: 0.3 m – infinity Night Mode: 1.0 m – infinity
Shutter Speed	1, 1/2, 1/4, 1/8, 1/15, 1/30, 1/60, 1/100, 1/120, 1/250, 1/500, 1/1000, 1/2000, 1/4000, 1/8000 and 1/16000sec
White Balance	Auto / One-shot / Preset / Manual
Imaging Modes	Day Mode, Night Mode (Auto / Manual)
Metering Modes	3 options: Centre-weighted / Average / Spot Metering
Exposure	Auto/ Auto (Flickerless)/ Auto (Shutter-priority AE)/ Manual (Shutter Speed, Aperture, Gain)
Exposure Compensation	9 levels
Shade Correction	Canon Smart Shade Control (SSC) with 7 levels
AGC Limit	5 levels
Image Stabilizer	-
SERVER UNIT	
Video Compression Method	H.264, JPEG
Video Output Size	JPEG: 1920 x 1080, 960 x 540, 480 x 270, 320 x 240 H.264: 1920 x 1080, 960 x 540, 480 x 270
Frame Rate	JPEG: 30 – 0.1 fps ¹ H.264: 30/15/10/6/5/3/2/1 fps ¹
I-Frame Interval	0.5/1/1.5/2/3/4/5 sec.
Simultaneous Distribution	JPEG: Max. 30 Clients + 1 Admin Client H.264: Max. 10 Clients
Audio Communication	Full-duplex
Audio Compression Method	G.711 μ-law (64 kbps)
Supported Protocols	IPv4: TCP/IP, UDP, HTTP, FTP, SNMP (MIB2), SMTP (Client), DHCP (Client), DNS (Client), ARP, ICMP, POP3, NTP, SMTP authentication, RTSP, WV-HTTP (Canon), ONVIF IPv6: TCP/IP, UDP, HTTP, FTP, SMTP (Client), DNS (Client), ICMPv6, POP3, NTP, SMTP authentication, RTSP WV-HTTP (Canon), ONVIF Supported
AutoIP	Supported
Encrypted Communications	SSL/TLS, IPsec (Auto Key Exchange/Manual)
Privacy Mask	Max. 8 masks. Number of mask colours: 1 (select from 9 colours)
Camera Access Control	User name and password / Host-based access control (IPv4, IPv6)
Camera Access Levels	3 user levels: Administrator / Authorized User / Guest User
Event Notification	HTTP/SMTP (e-mail)

EMBEDDED ANALYTICS	
Video Content Analytics	Moving Object Detection, Abandoned Object Detection, Removed Object Detection, Camera Tampering Detection and Passing Detection (Max of 15 detections per camera)
Audio	Volume Detection
CONNECTORS	
Network Interface	RJ-45, 100Base-TX (Auto / Full duplex / Half duplex)
Audio Input (Mic In / Line In)	3.5mm mono mini-jack
Audio Output (Line Out)	3.5mm mono mini-jack
External Device I/O Terminals	2 x Inputs / 2 x Outputs
Memory Card	SD, SDHC and SDXC Memory Card Compatible.
MECHANISMS	
Pan Angle Range	350° (±175°)
Tilt Angle Range	150° (±75°)
Rotation Angle Range	350° (±175°)
Maximum Rotation Speed	Pan: 19.2°/sec, Tilt: 14.2°/sec, Rotation: 43.7°/sec
Infrared Cut Filter	*When the Camera Angle Setting Tool is used
Preset Positions	Power-driven insertion and removal (Day / Night Modes)
RATINGS	
Dimensions (W x H x D)	186mm x 140mm x 186mm
Weight	Approx. 1200 g
Power Sources	Power over Ethernet (48V DC, Conforms to IEEE 802.3af) 100V – 240V AC, 50/60Hz (via optional AC Adaptor PA-V17) 12V DC or 24V AC (via supplied two-pin connector)
Power Consumption	PoE Input: Max. approx. 8.4 W AC adaptor (PA-V17): Max. approx. 10.72 W DC Input: Max. approx. 9.0 W AC Input: Max. approx. 7.5 W
Operating Environment	Temperature: -10°C to 50°C, Humidity: 5% – 85% RH (without condensation)
WHAT'S IN THE BOX	
Main unit, CD-ROM, Power connector, Installation guide, Safety wire, Audio interface cable, Installation template	
<p>¹ The frame rate may be reduced due to Viewer PC's specs, the number of clients accessing at the same time, network loads, image quality setting, type or movement of the subject or other reasons.</p> <p>All data is based on Canon's standard testing methods. This Leaflet and the specifications of the product have been developed prior to the date of product launch. Specifications are subject to change without notice.</p> <p>*and ©: All company and/or product names are trademarks and/or registered trademarks of their respective manufacturers in their markets and/or countries.</p>	

Dimensions



Connectivity



Optional Accessories

AC Power Supply Kit PA-V17 (Europe)
 AC Power Supply Kit PA-V17 (Great Britain)
 Recessed Mounting Kit SR600-VB
 Junction Box Mounting Kit PS600-VB
 Video Recording Software RM-9
 Video Recording Software RM-25
 Video Recording Software RM-64



Indoor Recessed Mounting Kit



Wall Adaptor Bracket

For more detailed accessory information please refer to the accessory sales sheet.

Canon Inc.
 canon.com

Canon Europe
 canon-europe.com

English Edition
 © Canon Europa N.V., 2012

